



Better By Design™

RED WING CADAVER LIFTS

Adjustable Hydraulic Lift Systems



An integration
of versatility and
user safety



www.mopec.com



(800) 362-8491



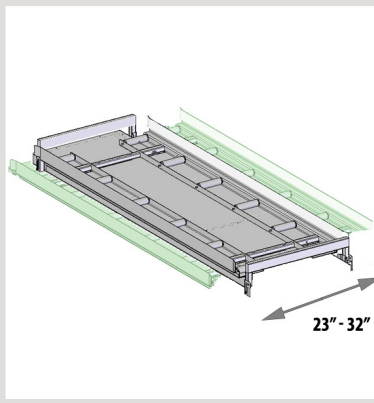
info@mopec.com

Mopec Red Wing Cadaver Lifts

Mopec's experienced engineers developed the Red Wing Cadaver Lifts with leading-edge features including sturdy balanced frames that outperform any cadaver lift in the industry. The unique adjustable lift top provides maximum flexibility.



Workflow Flexibility



ADAPTABLE SIZE

Each Red Wing Cadaver Lift features adjustable side rails to accommodate body trays ranging from 23" to 27". The Red Wing lift series also includes larger models which can accommodate 32" bariatric body trays. The sliding adjustable side rails are easily secured with the locking pin.

VERSATILE ACCESS

A user-friendly lift, slide and lock configuration is used to load the body onto the end of the lift. Side or end access is offered on the Red Wing JD5000 model that boasts a complete roller ball mechanism across the lift surface. The Red Wing JD5000 offers the easiest body transfer from beds, carriers and tables to end or side loading coolers and storage racks.



Durable Construction

SIMPLE DESIGN

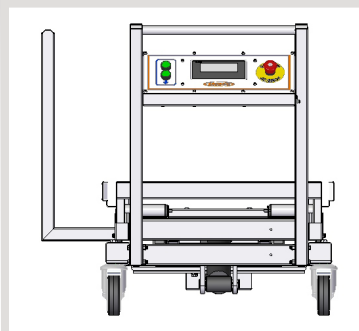
Unlike other cadaver lifts, the Red Wing series was engineered with a simplistic and effective single scissor design. This ensures ultimate sturdiness while the lift is in movement and permits a balanced weight load.

EASY CARE

The powder coated finish and stainless steel accents allow for easy cleaning and maintenance.



Ease of Control



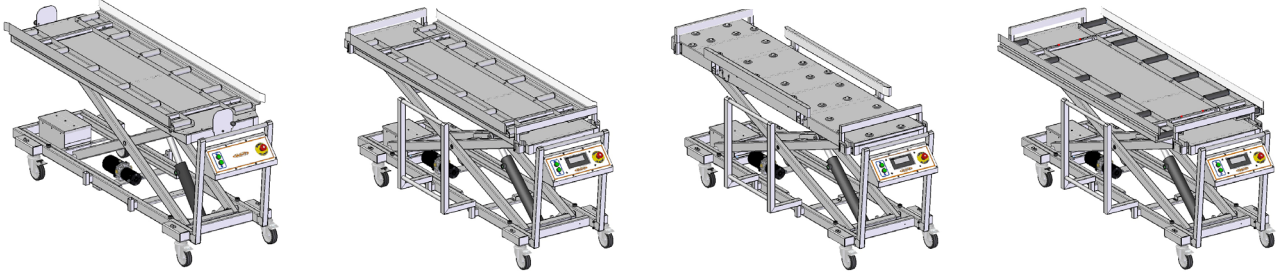
EFFORTLESS HANDLING

Full-scale functionality is represented in the built-in control panel. The handled mounted system is superior to corded remotes, as it eliminates trips and cord tangling.

ADVANCED TECHNOLOGY

Red Wing Cadaver Lifts feature a convenient and accurate body scale (economy model excluded). Each lift is also equipped with a removable side handle for steadier control and maneuverability.

Which model is right for you?



	JD301	JD501	JD5000	JD5001
3 Tier	X			
5 Tier		X	X	X
Access	End	End	End/Side	End
Split Roller	X	X		X
Roller Balls			X	
23" Tray	X	X	X	X
24" Tray	X	X	X	X
27" Tray	X	X	X	X
30" Tray			X	X
32" GA Tray				X
Scale		X	X	X
Min Height	13.4"	13.4"	13.3"	13.4"
Max Height	55.6"	76.8"	76.7"	76.8"
Dimensions	91.8" L x 29.2" W	95.2" L x 29.2" W	95.2" L x 29.2 - 33.2" W*	95.2" L x 34.4" W
Elevating range	13.4" – 55.6"	13.4" – 76.8"	13.3" – 76.7"	13.4" – 76.8"



Additional Features

- Maintenance-free dual sealed deep cycle batteries ensure constant power supply
- Integrated 12 VDC hydraulic unit for reliable vertical adjustment
- Emergency OFF and key activated switch to prevent unauthorized operation
- Four (4) swivel heavy-duty casters
- Weight capacity of up to 800 pounds



Red Wing Cadaver Lifts are ideal for:

- Medical Examiner Facilities
- Hospital Morgues
- Pathology Research Labs
- Anatomy Laboratories
- Funeral Homes
- Crematoriums

Why choose a Red Wing Lift?



COMPATIBILITY

Red Wing Cadaver Lifts are compatible with Mopec and most other commercial equipment, coolers and cadaver racks. See your Mopec representative for details.

QUALITY CONSTRUCTION

Each order is thoroughly tested and rigorously inspected against top-notch quality standards. Every unit is issued with a standard one year warranty.

OPTIONAL CUSTOMIZATION

Mopec understands that every facility is unique. Our customer service and sales representative teams are knowledgeable in common facility challenges and can assist in customizing your equipment.

Made in the United States

Worldwide Shipping

Over 25 Years of Experience



www.mopec.com
(800) 362-8491
info@mopec.com