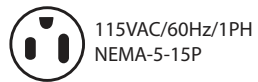
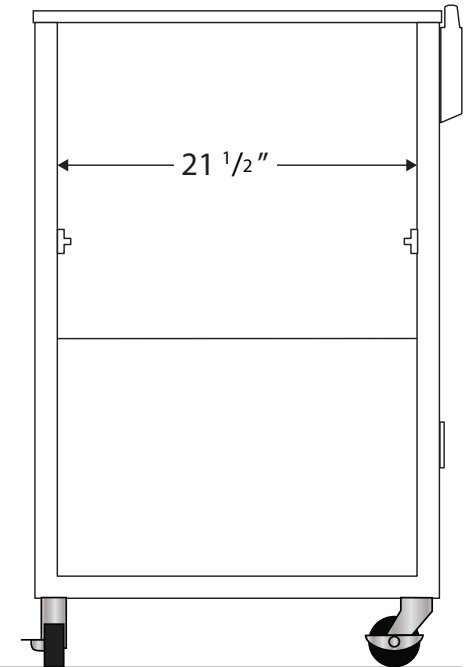
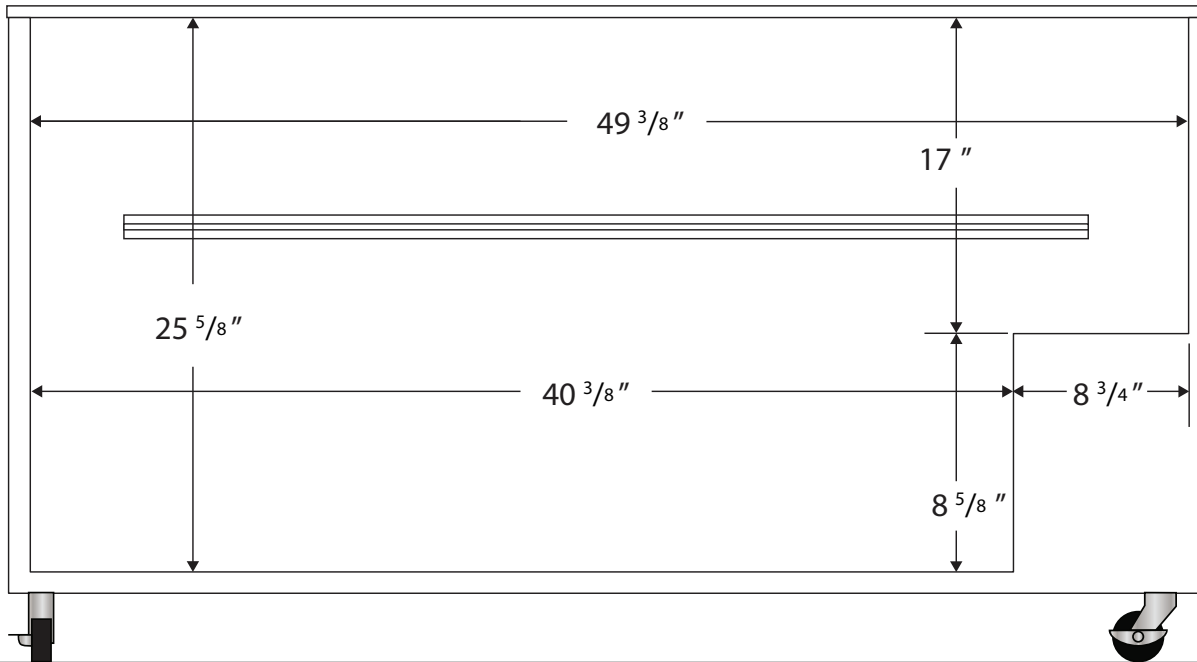


Front View

Side View



Cu. Ft	Defrost	Door	Int Door	Shelves	Interior Dim.			Refrigerant	H.P.	Amps	Weight
					W"	D"	H"				
15	Manual	1 Solid	0	2 Baskets	49 ³ / ₈	21 ¹ / ₂	25 ⁵ / ₈	R600a	1/4	5	137 lbs.

Note: Interior dimensions are estimates and subject to change without notice