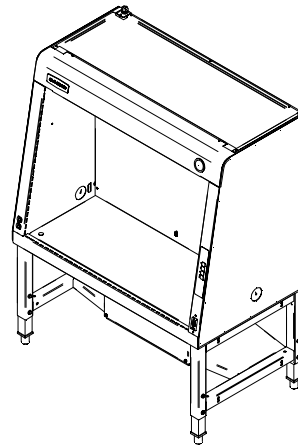
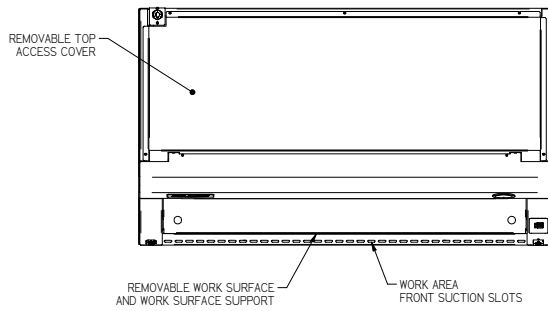
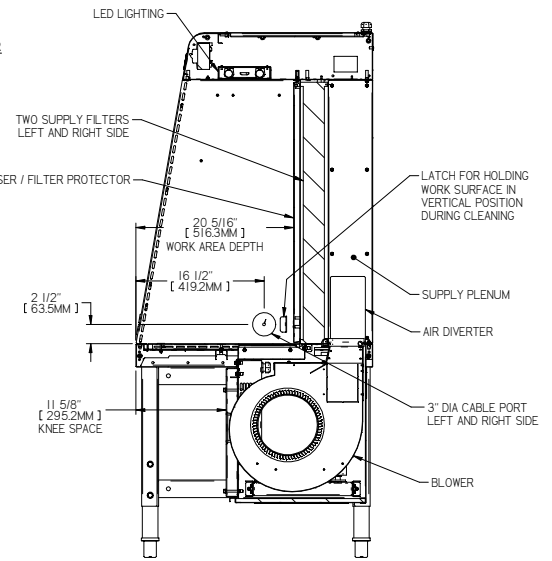
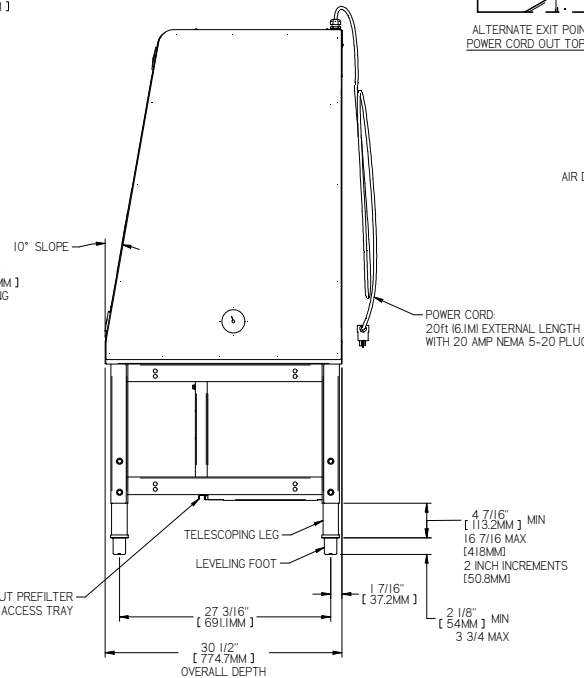
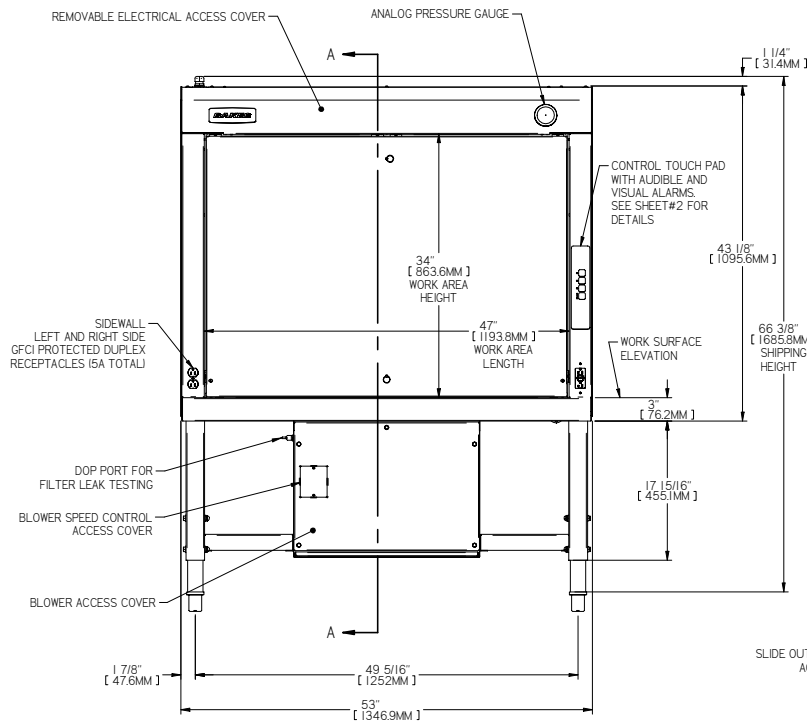
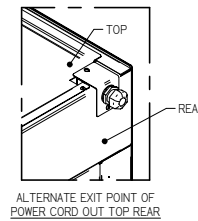


REV	DESCRIPTION	DATE	DRN	CHK BY	CHK DATE
A	ORIGINAL RELEASE				
B	UPDATED DRAWING AFTER UL TEST RESULTS	04/20/22	LAM		



- NOTES:**
1. ELECTRICAL REQUIREMENTS: 115 VAC, 20 AMP, 60 HZ, SINGLE PHASE
  2. CONSTRUCTION:  
WORKSURFACE/WORK AREA - 16 GA[1.5 MM] 304 SS, #4 FINISH  
ACCESS PANELS - 16[1.5 MM] & 18 GA[1.2 MM] C.R.S. WITH A BAKER PERMA WHITE POLYESTER HYBRID POWDER COAT FINISH
  3. FILTER, MOTOR, BLOWER AND ALL ELECTRICAL COMPONENTS ARE FRONT ACCESSIBLE.
  4. MATERIAL OPTIONS: CRS AND SS CONSTRUCTION.



**IMPORTANT: 41-3/8" MAX. WORK SURFACE ELEVATION PER UL 10 DEGREE TILT TEST**

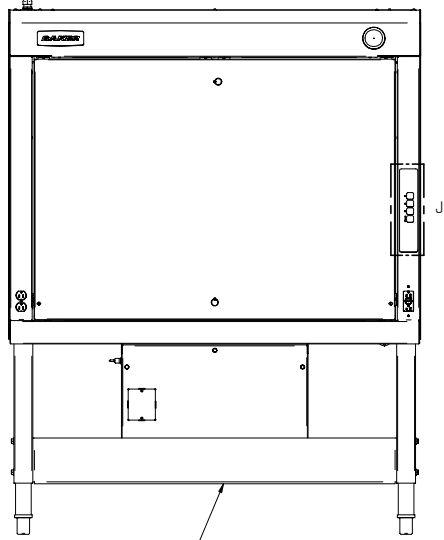
STANDARD UNIT WEIGHT = 460 LBS (209 KG)  
WITH POWERED LIFT STAND = 521 LBS (236 KG)



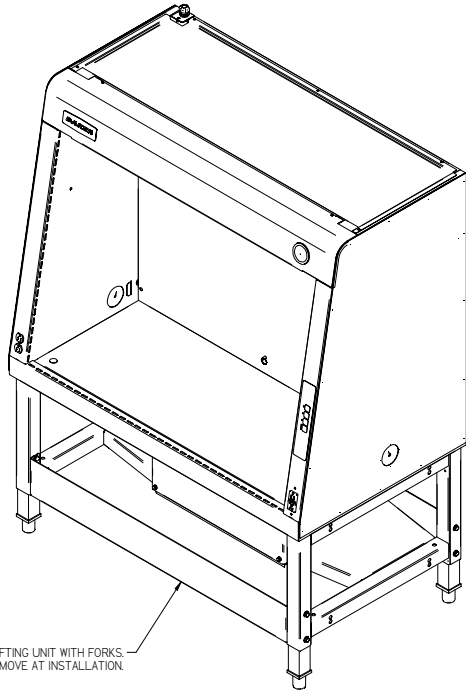
<small>BAKER</small> 181 Southwestern Blvd, Sparks, MD 20783 PH: 202-334-8771 web: www.baker-us.com		<small>BAKER</small> 181 Southwestern Blvd, Sparks, MD 20783 PH: 202-334-8771 web: www.baker-us.com
<b>EDGEGARD MODEL EG401 HORZ FLOW CLEAN BENCH</b>		
MODEL: D MANUFACTURED BY: Imccarthy DATE: 3/24/2022	MATERIAL: D PART: BGA-EG401-STD REV: B	1 OF 13

1 2 3 4 5 6 7 8

REV	DESCRIPTION	DATE	DRN	CHK-BY	CHK-DATE
A	ORIGINAL RELEASE	-	-	-	-
B	UPDATED DRAWING AFTER UL TEST RESULTS	8/6/22	LAM	-	-

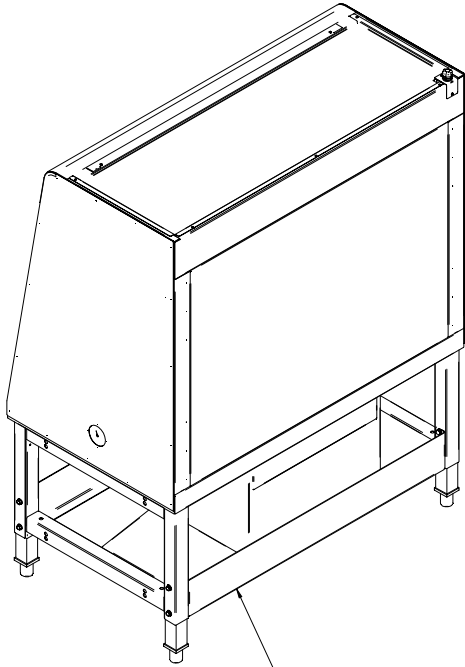


SHIPPING BRACE FOR USE WHEN LIFTING UNIT WITH FORKS

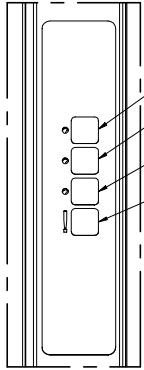


FRONT SHIPPING BRACE FOR USE WHEN LIFTING UNIT WITH FORKS. REMOVE AT INSTALLATION.

SHOWN WITH SHIPPING BRACE



REAR SHIPPING BRACE FOR USE WHEN LIFTING UNIT WITH FORKS. CAN LEAVE IN PLACE AT INSTALLATION.



DETAIL J  
CONTROL TOUCH PAD LAYOUT

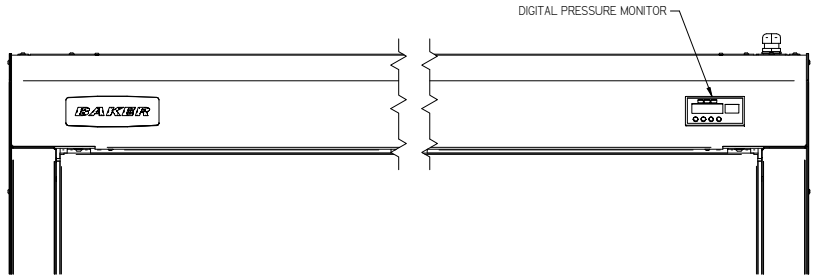
- LED LIGHT ON/OFF
- OUTLET POWER ON/OFF
- BLOWER ON/OFF
- ALARM MUTE (ALARM RESET)

<small>DO NOT RE-USE OR REPAIR</small> <small>REMOVE ALL BOLTS AND NUTS FROM BENCH</small> <small>CALL CUSTOMER SERVICE FOR REPAIRS OR SERVICE</small>				<small>101 Southbrook Road, Northford, CT 06457</small> <small>PH: 203.324.8771 web: www.bakerinc.com</small>
<b>EDGE GARD MODEL EG401 HORZ FLOW CLEAN BENCH</b>				<small>SEE DRAWING FOR ALL DIMENSIONS</small> <small>ALL DIMENSIONS TO CENTER UNLESS NOTED</small>
<small>ALL ITEMS MUST BE ROHS COMPLIANT</small>	SIZE: <b>D</b>	MATERIAL:	SUGGESTED PRICE:	REV:
Imccarthy	DATE: 3/24/2022	QUOTE NUMBER:	PART:	REV:
			2 OF 13	

1 2 3 4 5 6 7 8

1 2 3 4 5 6 7 8

REV	DESCRIPTION	DATE	DRN	CHK BY	CHK DATE
A	ORIGINAL RELEASE	-	-	-	-
B	UPDATED DRAWING AFTER UL TEST RESULTS	6/6/22	LAM	-	-



DIGITAL PRESSURE MONITOR OPTION

D

D

C

C

B

B

A

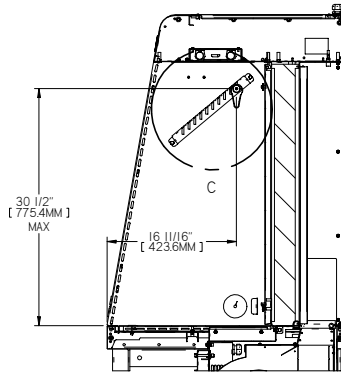
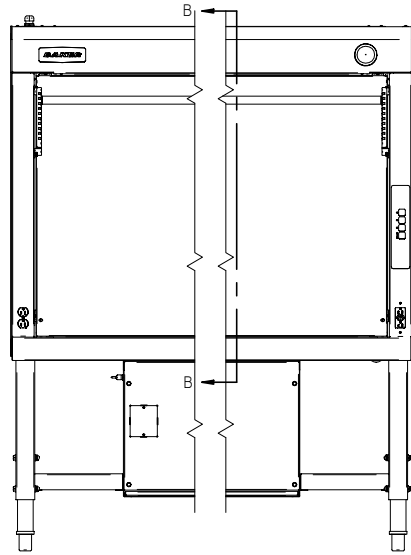
A

1 2 3 4 5 6 7 8

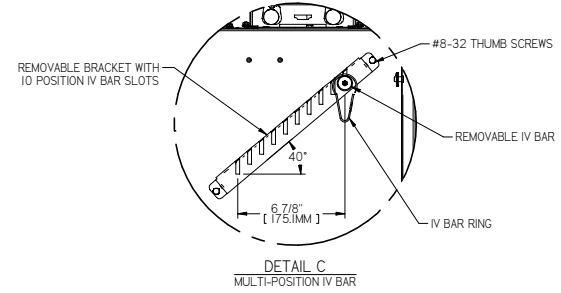
<small>DO NOT SCALE DRAWING</small> <small>REMOVE ALL DIMS AND DIMP DIMS</small> <small>ALL DIMENSIONS TO CENTER UNLESS NOTED</small>				<small>151 Lakeshore Blvd. South, St. Paul, MN 55127</small> <small>PH: 651.224.8771 web: www.baker-usa.com</small>	<small>For drawing use, its contents, and any other use, you must obtain the written permission of Baker Instrument Company.</small>
<small>ALL ITEMS MUST BE ROHS COMPLIANT</small>		<b>EDGE GARD MODEL EG401 HORZ FLOW CLEAN BENCH</b>			
<small>DATE</small> Imccarthy	<small>DATE</small> 3/24/2022	<small>SIZE</small> D	<small>MATERIAL</small> -	<small>SUPPLIER</small> BGA-EG401-STD	<small>REV</small> B
<small>ISSUE</small> -		<small>DATE</small> -		<small>3 OF 13</small>	

1 2 3 4 5 6 7 8

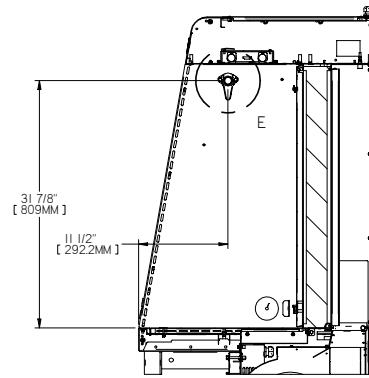
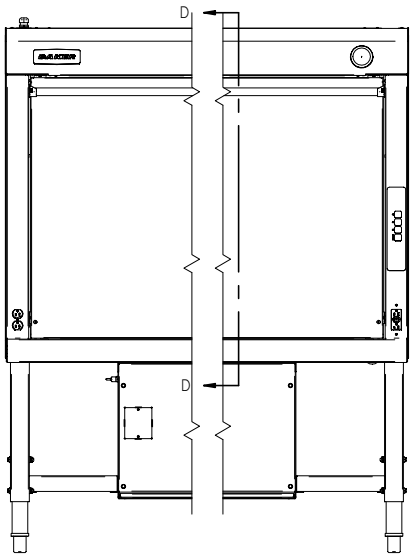
REV	DESCRIPTION	DATE	DRN	CHK-BY	CHK-DATE
A	ORIGINAL RELEASE	-	-	-	-
B	UPDATED DRAWING AFTER UL TEST RESULTS	6/6/22	LAM	-	-



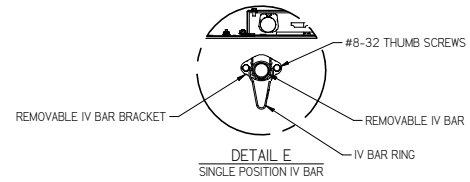
SECTION B-B



DETAIL C  
MULTI-POSITION IV BAR



SECTION D-D



DETAIL E  
SINGLE POSITION IV BAR

IV BAR MOUNTING LOCATIONS

<small>DO NOT SCALE DRAWING REMOVE ALL DIMS AND DIMP DIMS ALL DIMENSIONS TO CENTER UNLESS NOTED</small>				<small>161 Southview Road, North, ME 05873 PH: 207-334-8771 web: www.baker-usa.com</small>	
<small>ALL ITEMS MUST BE ROHS COMPLIANT</small>		<b>EDGE GARD MODEL EG401 HORZ FLOW CLEAN BENCH</b>		<small>DO NOT SCALE DRAWING REMOVE ALL DIMS AND DIMP DIMS ALL DIMENSIONS TO CENTER UNLESS NOTED</small>	
<small>REVISED</small> Imccarthy	<small>DATE</small> 3/24/2022	<small>SIZE</small> D	<small>MODEL</small> BGA-EG401-STD	<small>REV</small> B	<small>4 OF 13</small>

1 2 3 4 5 6 7 8

D

C

B

A

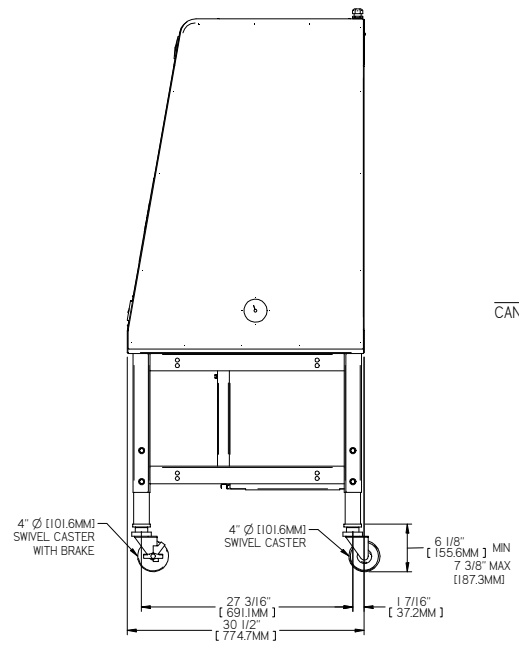
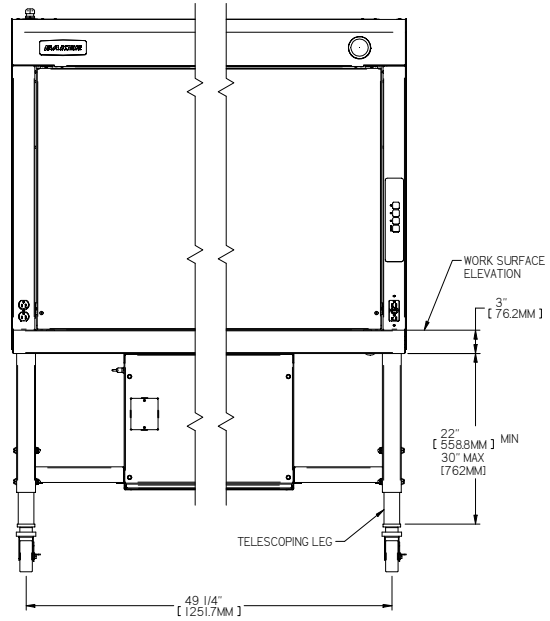
D

C

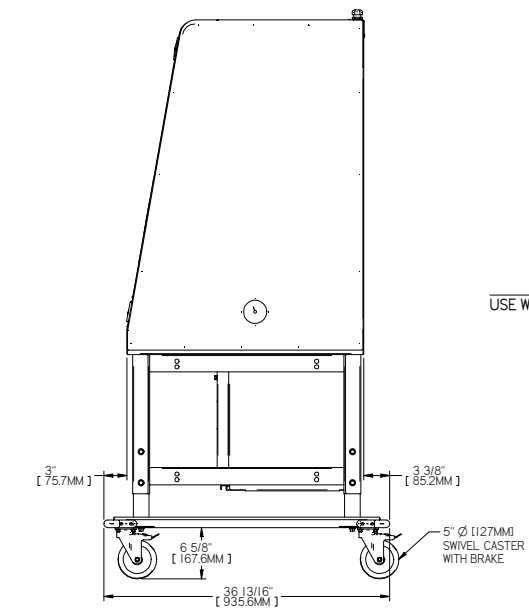
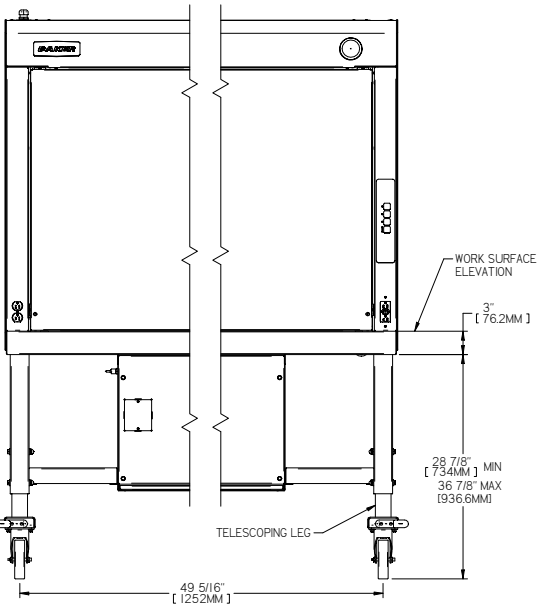
B

A

REV	DESCRIPTION	DATE	DRN	CHK-BY	CRG-DATE
A	ORIGINAL RELEASE	-	-	-	-
B	UPDATED DRAWING AFTER UL TEST RESULTS	6/6/22	LAM	-	-



**4" Ø CASTER OPTION**  
CAN NOT BE USED WITH ERGOTRON ARM OPTION

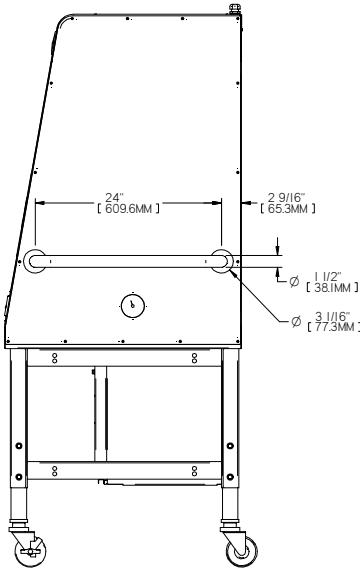
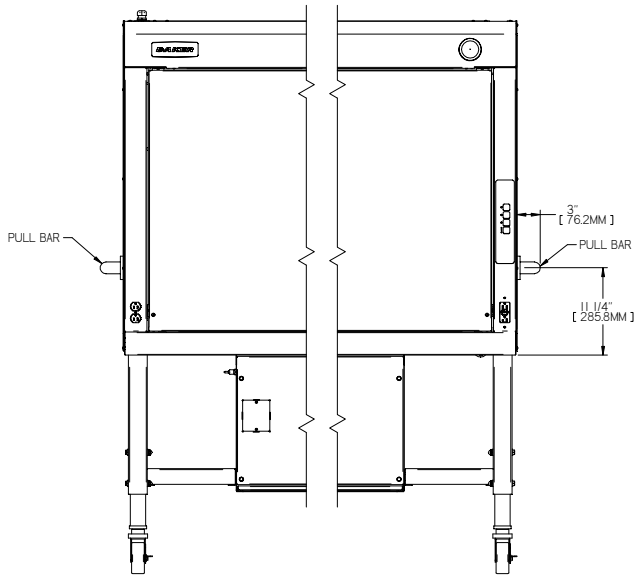
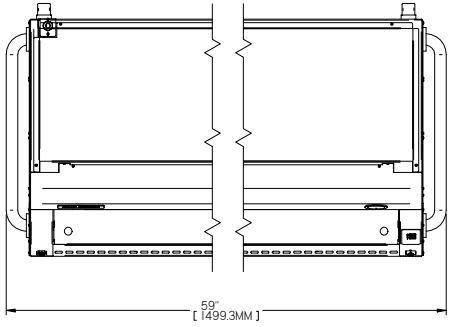


**5" Ø CASTER OPTION**  
USE WHEN ERGOTRON ARM OPTION IS ALSO REQUIRED

<small>BAKER CLEAN BENCHES</small> <small>DO NOT SCALE DRAWING</small> <small>REMOVE ALL BOLTS AND BUMPERS</small> <small>USE LOCKWASHERS TO PREVENT SLIPING</small>				<small>181 Lakeshore Blvd. North, St. Paul, MN 55127</small> <small>PH: 202-534-8771 web: www.baker-usa.com</small>	<small>For drawing use only. Contains information for reference only. Not for construction.</small>
<b>EDGE GARD MODEL EG401 HORZ FLOW CLEAN BENCH</b>			<b>BGA-EG401-STD</b>	<b>B</b>	
<small>DATE</small> <small>REV</small>	<small>DATE</small> <small>REV</small>	<small>DATE</small> <small>REV</small>	<small>DATE</small> <small>REV</small>	<small>DATE</small> <small>REV</small>	<small>DATE</small> <small>REV</small>
<b>Imccarthy</b>					
<small>ALL ITEMS MUST BE ROHS COMPLIANT</small>			<small>DATE</small> <b>3/24/2022</b>	<small>DATE</small> 	<small>DATE</small> 
					<b>5 OF 13</b>

1 2 3 4 5 6 7 8

REV	DESCRIPTION	DATE	DRN	CHK BY	CHK DATE
A	ORIGINAL RELEASE	-	-	-	-
B	UPDATED DRAWING AFTER UL TEST RESULTS	6/6/22	LAM	-	-

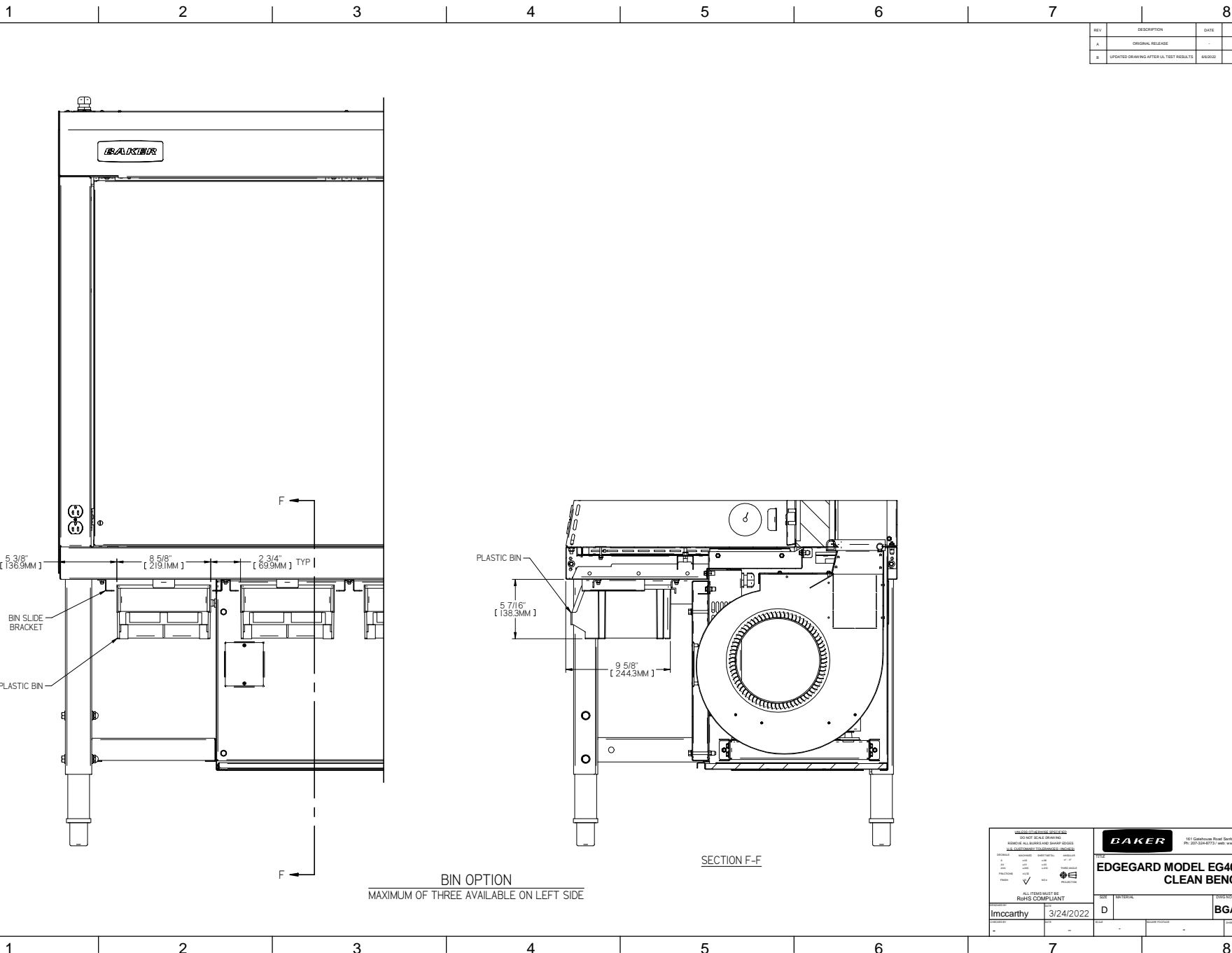


PULL BAR OPTION

1 2 3 4 5 6 7 8

<small>DO NOT SCALE DRAWING</small> <small>REMOVE ALL DIMENSIONS AND DIMENSIONS</small> <small>ALL DIMENSIONS TO UNLESS OTHERWISE SPECIFIED</small>				<small>151 Lakeshore Road, Northford, CT 06457</small> <small>PH: 203-324-8771 web: www.baker-usa.com</small>
<small>ALL ITEMS MUST BE ROHS COMPLIANT</small>		<b>EDGE GARD MODEL EG401 HORZ FLOW CLEAN BENCH</b>		<small>THIS DRAWING AND ITS CONTENTS ARE THE PROPERTY OF BAKER. IT IS TO BE USED ONLY FOR THE PROJECT AND SITE SPECIFICALLY IDENTIFIED HEREIN. IT IS NOT TO BE REPRODUCED OR TRANSMITTED IN ANY FORM OR BY ANY MEANS, ELECTRONIC OR MECHANICAL, INCLUDING PHOTOCOPYING, RECORDING, OR BY ANY INFORMATION STORAGE AND RETRIEVAL SYSTEM.</small>
<small>REVISED</small> Imccarthy	<small>DATE</small> 3/24/2022	<small>SIZE</small> D	<small>MATERIAL</small> BGA-EG401-STD	<small>REV</small> B
				6 OF 13

1 2 3 4 5 6 7 8



REV	DESCRIPTION	DATE	DRN	CHK BY	CHK DATE
A	ORIGINAL RELEASE	-	-	-	-
B	UPDATED DRAWING AFTER UL TEST RESULTS	6/6/22	LAM	-	-

5 3/8" [138.9MM]  
 BIN SLIDE BRACKET  
 SLIDING PLASTIC BIN  
 8 5/8" [219.1MM]  
 2 3/4" [69.9MM] TYP

PLASTIC BIN  
 5 7/16" [138.3MM]  
 9 5/8" [244.3MM]

BIN OPTION  
 MAXIMUM OF THREE AVAILABLE ON LEFT SIDE

SECTION F-F

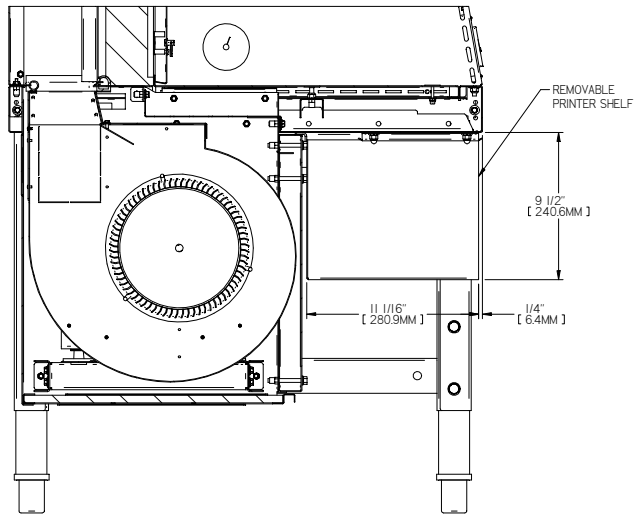
<small>DO NOT SCALE DRAWING          REMOVE ALL DIMS AND DIMP DIMS          ALL DIMENSIONS TO CENTER UNLESS NOTED</small>				<small>151 Lakeside Road, North Attle, MA 01937          PH: 508-334-8771 web: www.baker-usa.com</small>
<b>EDGE GARD MODEL EG401 HORZ FLOW CLEAN BENCH</b>				<small>THIS DRAWING AND ITS CONTENTS          ARE THE PROPERTY OF BAKER          AND ARE NOT TO BE REPRODUCED          OR TRANSMITTED IN ANY FORM          OR BY ANY MEANS, ELECTRONIC          OR MECHANICAL, INCLUDING          PHOTOCOPYING, RECORDING,          OR BY ANY INFORMATION          STORAGE AND RETRIEVAL SYSTEM</small>
<small>REVISIONS</small> NO. DATE BY APPR'D BY 1 3/24/2022 JCM LAM	<small>ALL ITEMS MUST BE          ROHS COMPLIANT</small>	SIZE: <b>D</b> MATERIAL:	DWG NO: <b>BGA-EG401-STD</b> REV: <b>B</b>	SHEET NO: <b>7 OF 13</b>

1 2 3 4 5 6 7 8

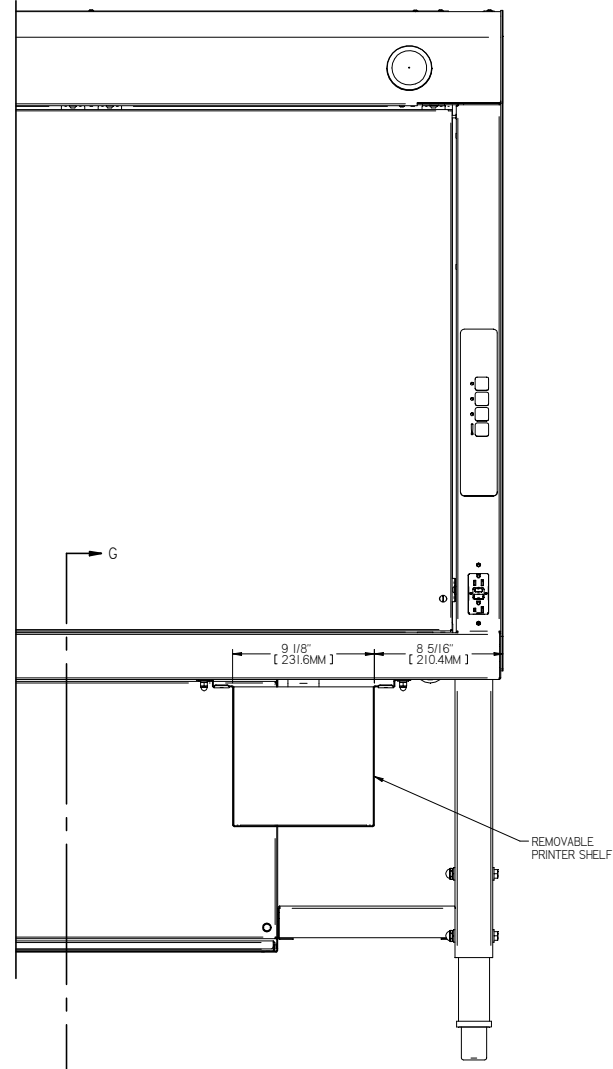
REV	DESCRIPTION	DATE	DRN	CHK BY	CHK DATE
A	ORIGINAL RELEASE	-	-	-	-
B	UPDATED DRAWING AFTER UL TEST RESULTS	6/6/22	LAM	-	-

D  
C  
B  
A

D  
C  
B  
A



SECTION G-G



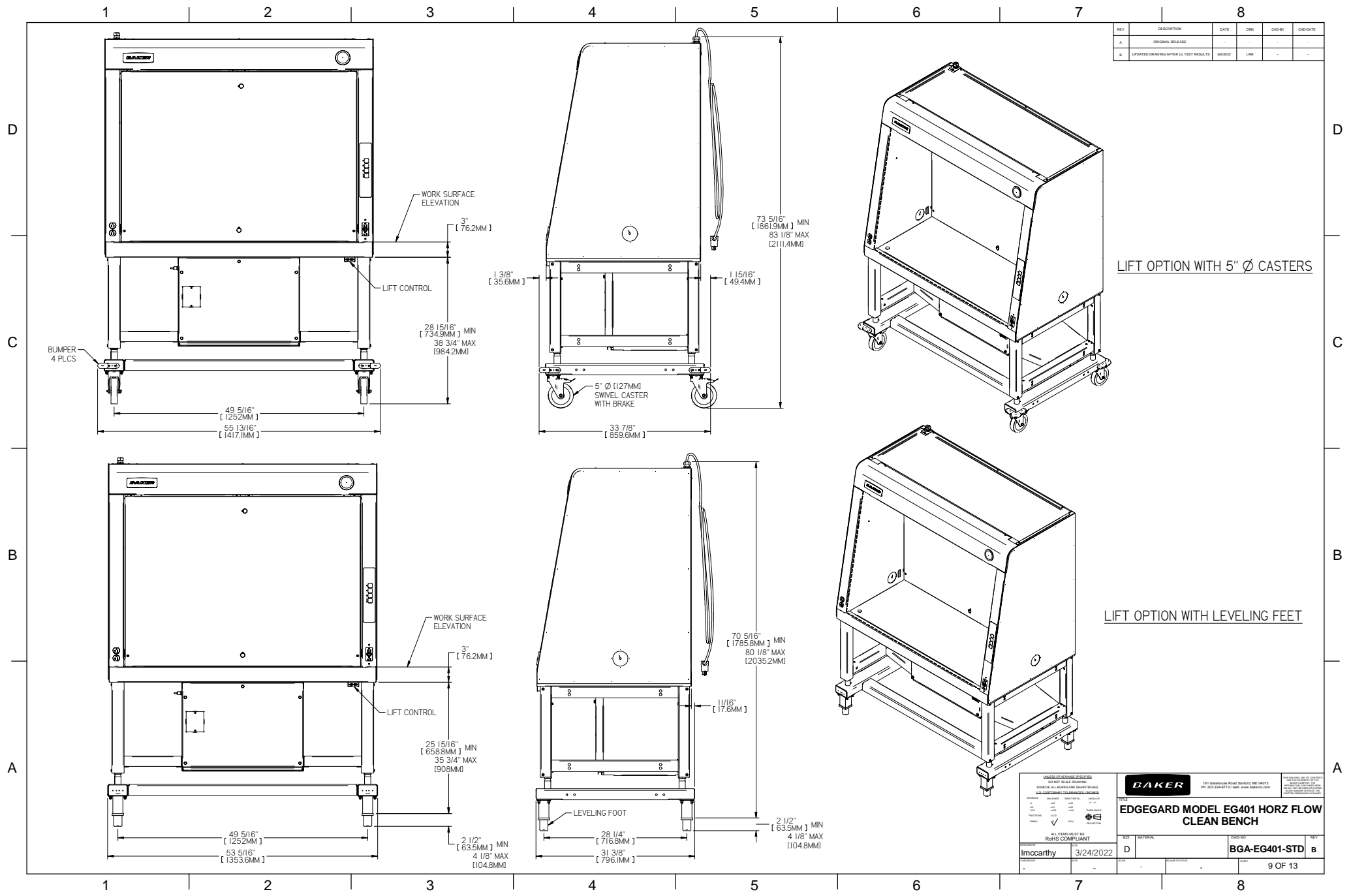
PRINTER SHELF OPTION

<small>BAKER CORPORATION</small> <small>101 Lanesboro Road, Lanesboro, MA 01453</small> <small>PH: 507-534-8771 web: www.baker-ita.com</small>		<small>BAKER</small>		<small>101 Lanesboro Road, Lanesboro, MA 01453</small> <small>PH: 507-534-8771 web: www.baker-ita.com</small>
<b>EDGE GARD MODEL EG401 HORZ FLOW CLEAN BENCH</b>				
<small>DESIGNED BY</small> <small>DATE</small> <small>REVISED BY</small> <small>DATE</small> <small>APPROVED BY</small> <small>DATE</small>	<small>BY</small> <small>DATE</small>	<small>DATE</small> <small>REV</small>	<small>DATE</small> <small>REV</small>	<small>DATE</small> <small>REV</small>
<small>DESIGNED BY</small> <b>Imccarthy</b>	<small>DATE</small> <b>3/24/2022</b>	<small>DATE</small> <b>D</b>	<small>DATE</small> <b>BGA-EG401-STD</b>	<small>DATE</small> <b>B</b>
<small>ALL ITEMS MUST BE ROHS COMPLIANT</small>				
8 OF 13				

1 2 3 4 5 6 7 8



REV	DESCRIPTION	DATE	DRN	CHK-BY	CHK-DATE
A	ORIGINAL RELEASE	-	-	-	-
B	UPDATED DRAWING AFTER UL TEST RESULTS	8/6/22	LAM	-	-



LIFT OPTION WITH 5" Ø CASTERS

LIFT OPTION WITH LEVELING FEET

<small>BAKER</small> 181 Greenhouse Road, Sparks, MD 21157 PH: 301.534.8771   web: www.baker-usa.com		<small>BAKER</small> 181 Greenhouse Road, Sparks, MD 21157 PH: 301.534.8771   web: www.baker-usa.com
<b>EDGE GARD MODEL EG401 HORZ FLOW CLEAN BENCH</b>		
MODEL: Imccarthy DATE: 3/24/2022	REV: D DATE:	PART: BGA-EG401-STD REV: B 9 OF 13

1 2 3 4 5 6 7 8

REV	DESCRIPTION	DATE	DRN	CHK BY	CRG DATE
A	ORIGINAL RELEASE	-	-	-	-
B	UPDATED DRAWING AFTER UL TEST RESULTS	6/6/22	LAM	-	-

D

D

C

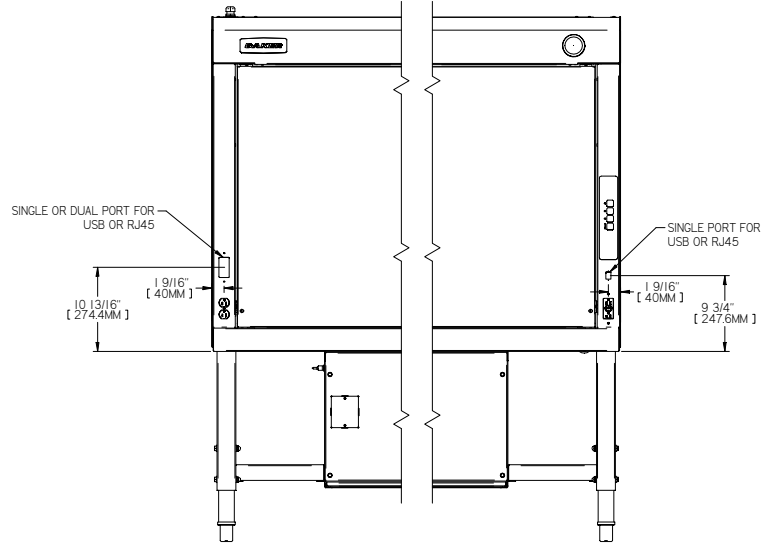
C

B

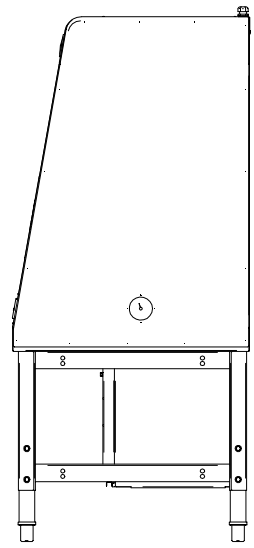
B

A

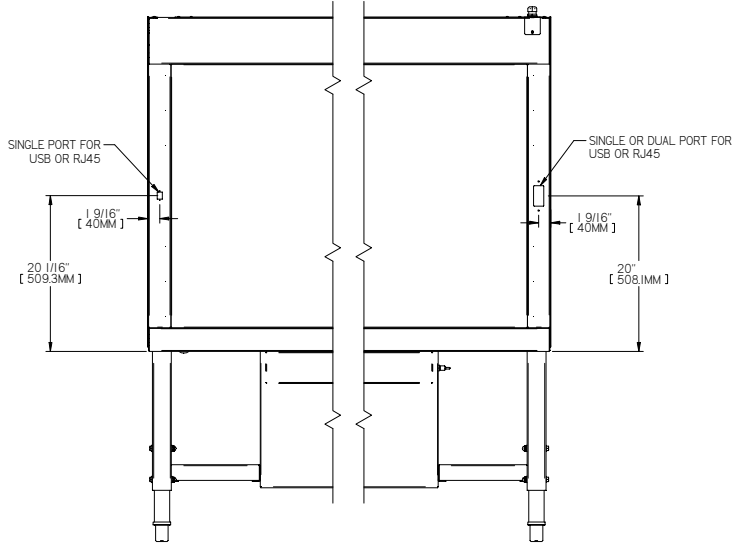
A



FRONT VIEW



RIGHT SIDE VIEW



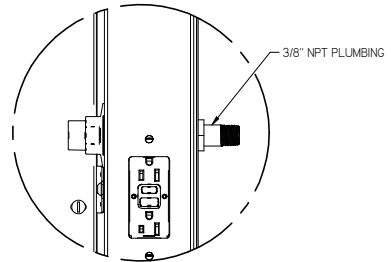
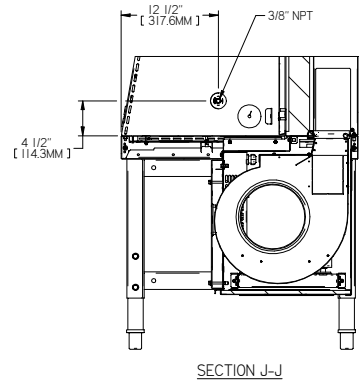
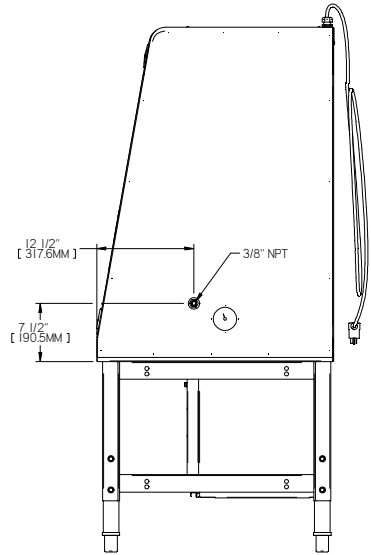
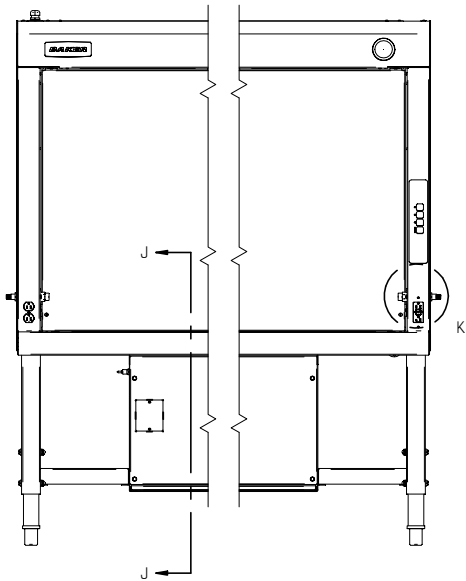
REAR VIEW

DATA PORT OPTION

<small>DO NOT SCALE DRAWING</small> <small>REMOVE ALL DIMS AND DIMP DIMS</small> <small>ALL DIMENSIONS TO CENTER UNLESS NOTED</small>				<small>161 Lakeside Road, North Attle, MA 01937</small> <small>PH: 508.334.8771 web: www.baker-usa.com</small>	<small>For drawing use, its contents, and any other use, you must obtain the written permission of Baker Corporation.</small>
<b>EDGE GARD MODEL EG401 HORZ FLOW CLEAN BENCH</b>					
<small>ALL ITEMS MUST BE ROHS COMPLIANT</small>		SIZE: <b>D</b>	MATERIAL:	DWG NO: <b>BGA-EG401-STD</b>	REV: <b>B</b>
DRAWN BY: <b>Imcarthy</b>	DATE: <b>3/24/2022</b>	DESIGNED BY:	CHECKED BY:	DATE:	PAGE: <b>10 OF 13</b>

1 2 3 4 5 6 7 8

REV	DESCRIPTION	DATE	DRN	CHK BY	CHK DATE
A	ORIGINAL RELEASE	-	-	-	-
B	UPDATED DRAWING AFTER UL TEST RESULTS	6/6/2022	LAM	-	-



**PLUMBING OPTION**

DETAIL K  
PLUMBING THROUGH SIDE WALL  
TYP OTHER SIDE WALL

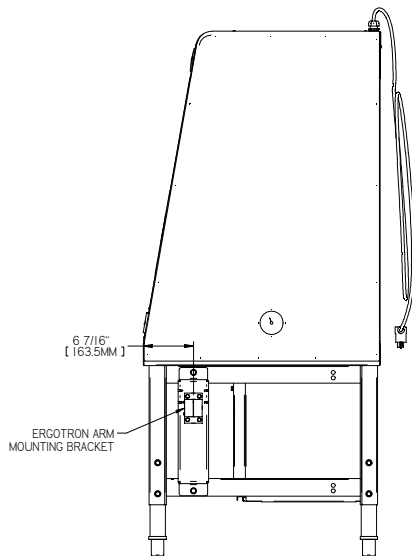
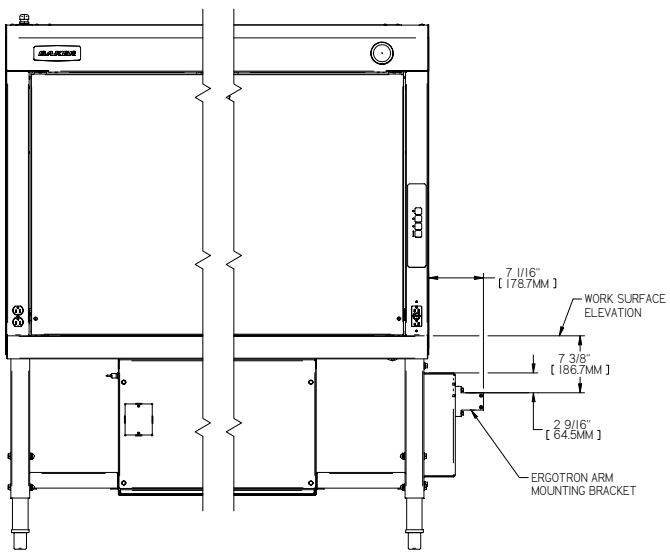
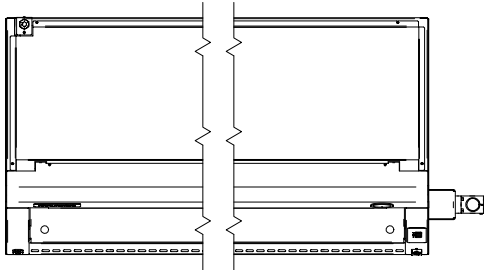
<small>BAKER</small> 101 Lakeshore Blvd., North Attleboro, MA 01945 PH: 508-334-8771   web: www.baker-usa.com		<small>BAKER</small> 101 Lakeshore Blvd., North Attleboro, MA 01945 PH: 508-334-8771   web: www.baker-usa.com
<b>EDGE GARD MODEL EG401 HORZ FLOW CLEAN BENCH</b>		
Imccarthy 3/24/2022	D 11 OF 13	BGA-EG401-STD B

1 2 3 4 5 6 7 8

REV	DESCRIPTION	DATE	DRN	CHK-BY	CHK-DATE
A	ORIGINAL RELEASE	-	-	-	-
B	UPDATED DRAWING AFTER UL TEST RESULTS	6/6/2022	LAM	-	-

D  
C  
B  
A

D  
C  
B  
A

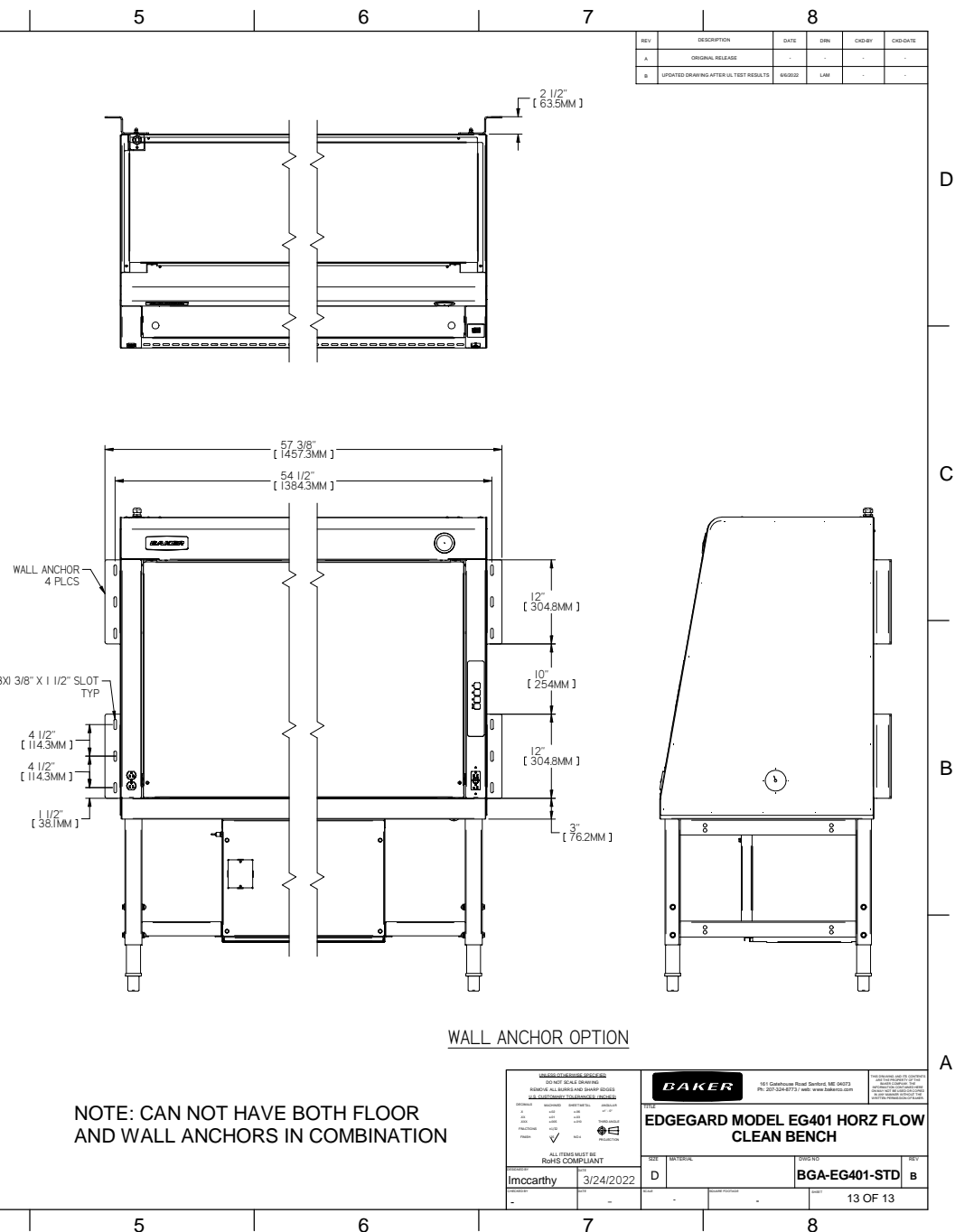
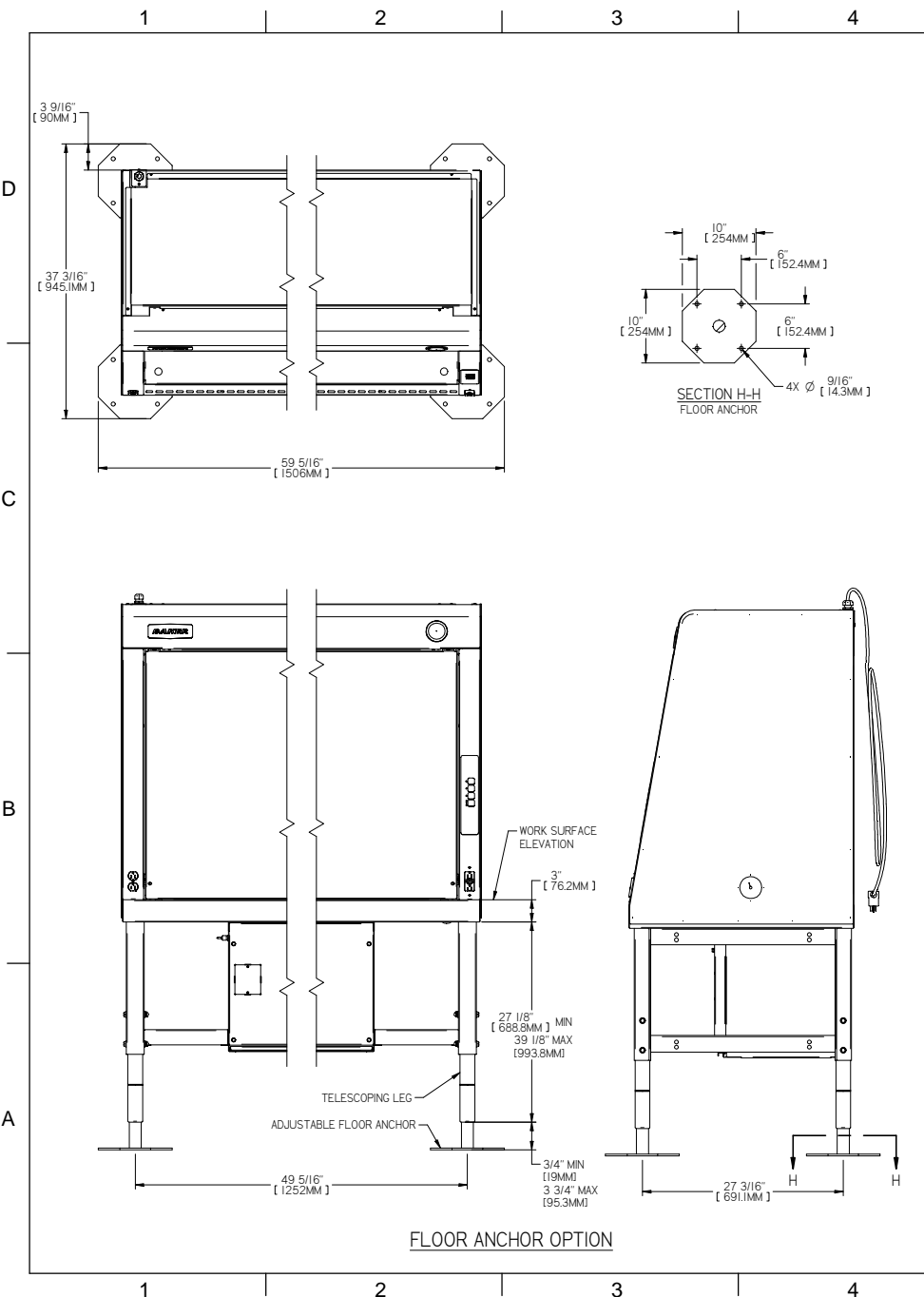


**ERGOTRON ARM MOUNT**  
 RIGHT SIDE MOUNTING SHOWN  
 CAN ALSO BE LEFT SIDE MOUNTED

1 2 3 4 5 6 7 8

<small>BAKER</small> <small>151 Lakeshore Blvd. South, St. Louis, MO 63103</small> <small>PH: 314.241.4771 web: www.baker-usa.com</small>		<small>FOR INFORMATION ONLY - NOT TO SCALE</small> <small>REMOVE ALL BOLTS AND NUTS FROM THE WORK SURFACE</small> <small>SEE INSTRUCTIONS FOR REINSTALLATION</small>
<small>ALL ITEMS MUST BE ROHS COMPLIANT</small>		<small>DATE</small> <small>REV</small>
<small>PROJECT</small> <b>Imcarthy</b>	<small>DATE</small> <b>3/24/2022</b>	<small>SIZE</small> <b>D</b>
<small>DESCRIPTION</small> <b>EDGEgard MODEL EG401 HORZ FLOW CLEAN BENCH</b>		<small>DATE</small> <b>6/6/2022</b>
<small>DESIGNER</small> <b>LAM</b>		<small>REV</small> <b>B</b>
<small>12 OF 13</small>		

REV	DESCRIPTION	DATE	DRN	CHK BY	CRD DATE
A	ORIGINAL RELEASE	-	-	-	-
B	UPDATED DRAWING AFTER UL TEST RESULTS	6/6/22	LAM	-	-



<small>BAKER CLEAN BENCH</small> <small>REMOVED ALL BLENDED AND BLENDED BLENDED</small> <small>ALL DIMENSIONS UNLESS OTHERWISE SPECIFIED</small>				<small>151 Southview Road, Northport, ME 05857</small> <small>PH: 207.334.8771   web: www.baker-usa.com</small>	
<small>ALL ITEMS MUST BE ROHS COMPLIANT</small>		<b>EDGEgard MODEL EG401 HORZ FLOW CLEAN BENCH</b>		<small>DATE</small> 3/24/2022	
<small>DESIGNED BY</small> Imcarthy		<small>DATE</small> 3/24/2022		<small>REV</small> B	
<small>REV</small>		<small>DATE</small>		<small>REV</small>	

13 OF 13