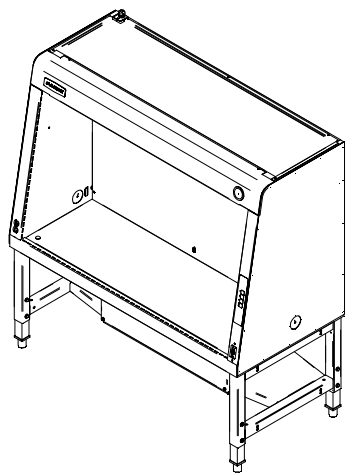
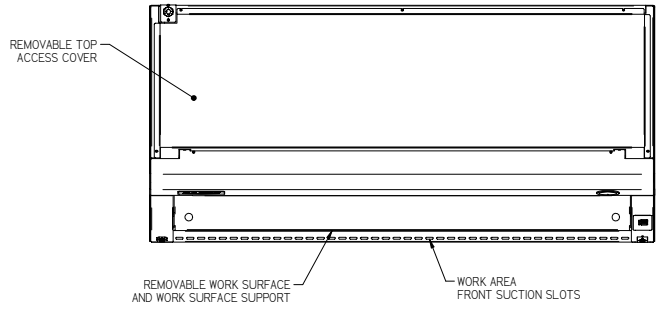
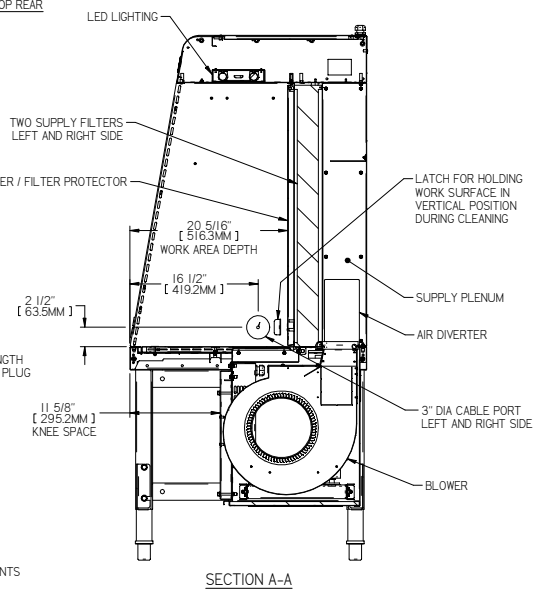
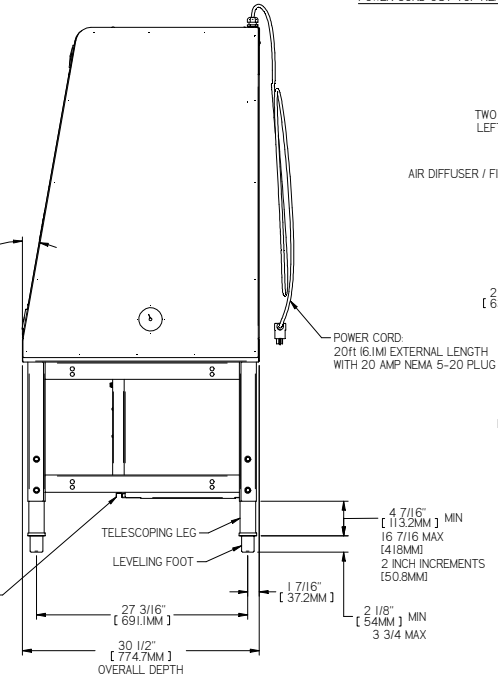
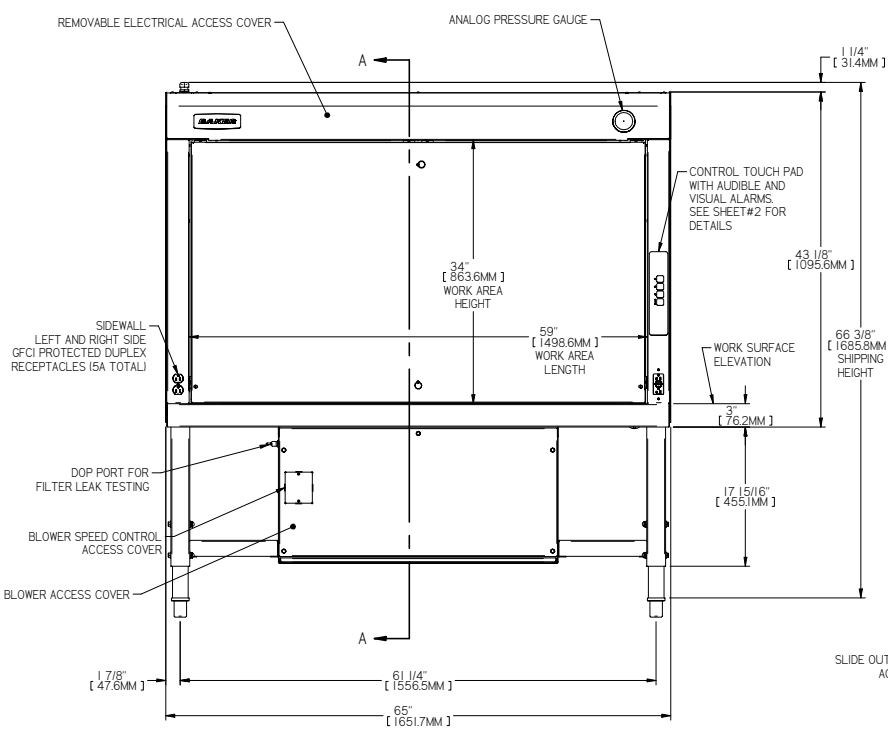
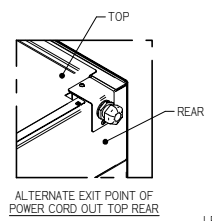


REV	DESCRIPTION	DATE	DRN	CHK BY	CHK DATE
A	ORIGINAL RELEASE	-	-	-	-
B	UPDATED DRAWING AFTER UL TEST RESULTS	06/02/22	LAM	-	-



- NOTES:
1. ELECTRICAL REQUIREMENTS: 115 VAC, 20 AMP, 60 HZ, SINGLE PHASE
  2. CONSTRUCTION:  
WORKSURFACE/WORK AREA - 16 GA[1.5 MM] 304 SS, #4 FINISH  
ACCESS PANELS - 16[1.5 MM] & 18 GA.[1.2 MM] C.R.S. WITH A BAKER PERMA WHITE POLYESTER HYBRID POWDER COAT FINISH
  3. FILTER, MOTOR, BLOWER AND ALL ELECTRICAL COMPONENTS ARE FRONT ACCESSIBLE.
  4. MATERIAL OPTIONS: CRS AND SS CONSTRUCTION.



IMPORTANT: 41-3/8" MAX. WORK SURFACE ELEVATION PER UL 10 DEGREE TILT TEST

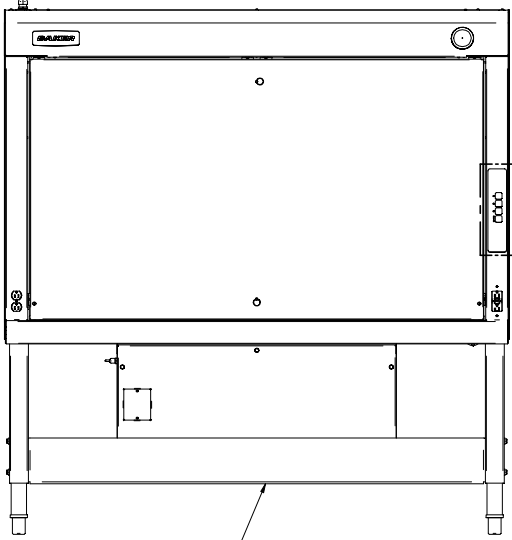
STANDARD UNIT WEIGHT = 509 LBS [231 KG]  
WITH POWERED LIFT STAND = 575 LBS [261 KG]



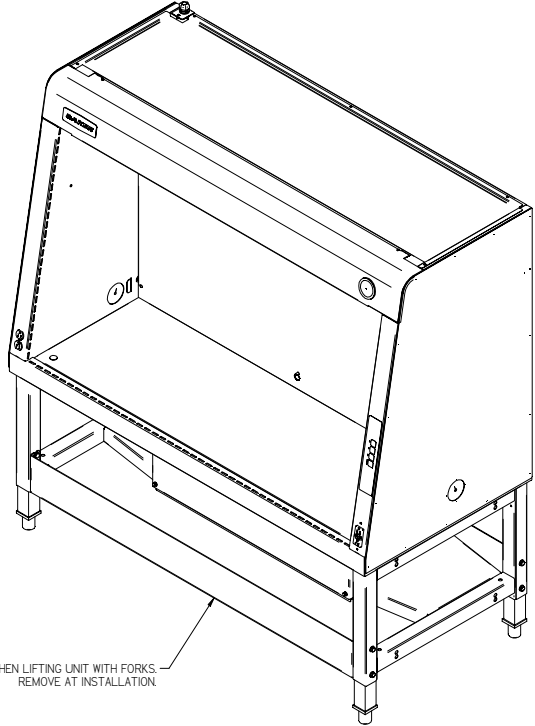
<small>BAKER</small> 181 Southview Road, Sparks, MD 21153 PH: 301.534.8771 web: www.baker-us.com		<small>BAKER</small> <b>EDGEgard MODEL EG501 HORZ FLOW CLEAN BENCH</b>
MODEL: EG501 SIZE: D MATERIAL: BGA-EG501-STD REV: B	1 OF 13	

1 2 3 4 5 6 7 8

REV	DESCRIPTION	DATE	DRN	CHK BY	CHK DATE
A	ORIGINAL RELEASE	-	-	-	-
B	UPDATED DRAWING AFTER UL TEST RESULTS	8/6/22	LAM	-	-

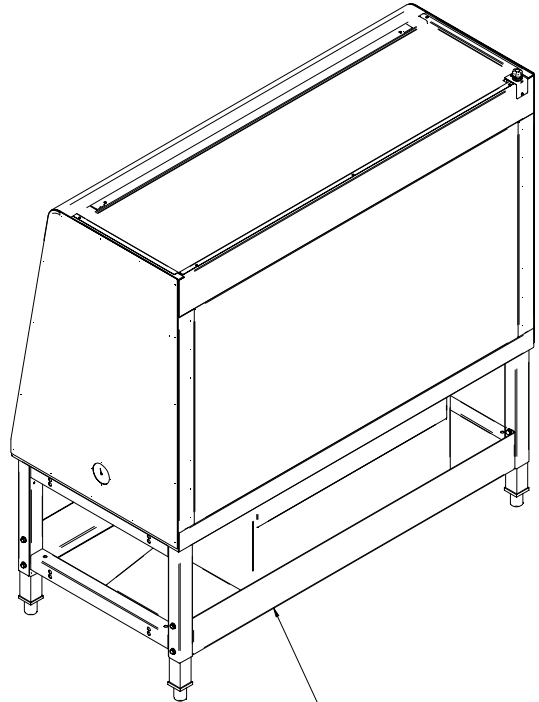


SHIPPING BRACE FOR USE WHEN LIFTING UNIT WITH FORKS

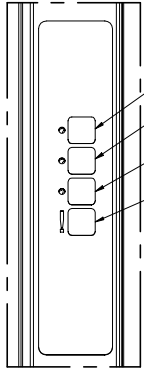


FRONT SHIPPING BRACE FOR USE WHEN LIFTING UNIT WITH FORKS. REMOVE AT INSTALLATION.

SHOWN WITH SHIPPING BRACE



REAR SHIPPING BRACE FOR USE WHEN LIFTING UNIT WITH FORKS. CAN LEAVE IN PLACE AT INSTALLATION.



DETAIL J  
CONTROL TOUCH PAD LAYOUT

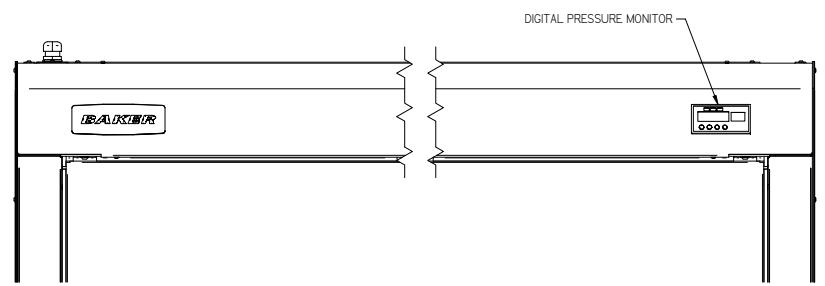
- LED LIGHT ON/OFF
- OUTLET POWER ON/OFF
- BLOWER ON/OFF
- ALARM MUTE (ALARM RESET)

<p><b>BAKER</b></p> <p>151 Southview Road, North, ME 05873          PH: 207-524-8771 web: www.bakerlab.com</p>		<p>FOR SHIPMENT AND STORAGE          REMOVE ALL BOLTS AND SHIP BOLTS          (SEE INSTRUCTIONS FOR SHIP BOLTS)</p>
<p>EDGEgard MODEL EG501 HORZ FLOW CLEAN BENCH</p>		<p>ALL ITEMS MUST BE ROHS COMPLIANT</p>
<p>Imccarthy</p>	<p>3/24/2022</p>	<p>D BGA-EG501-STD B</p>
		<p>2 OF 13</p>

1 2 3 4 5 6 7 8

1 2 3 4 5 6 7 8

REV	DESCRIPTION	DATE	DRN	CHK BY	CHK DATE
A	ORIGINAL RELEASE	-	-	-	-
B	UPDATED DRAWING AFTER UL TEST RESULTS	6/6/2022	LAM	-	-



DIGITAL PRESSURE MONITOR OPTION

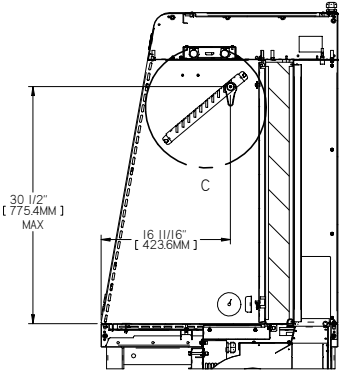
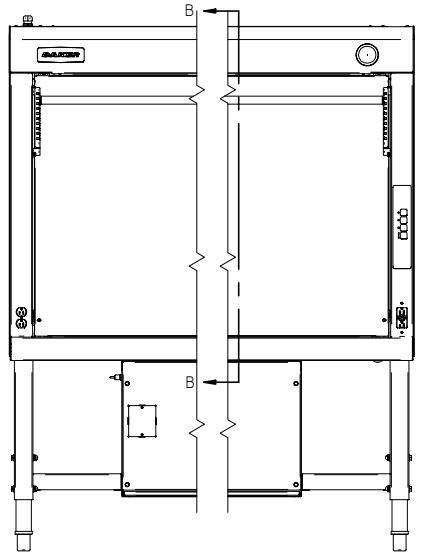
D  
C  
B  
A

D  
C  
B  
A

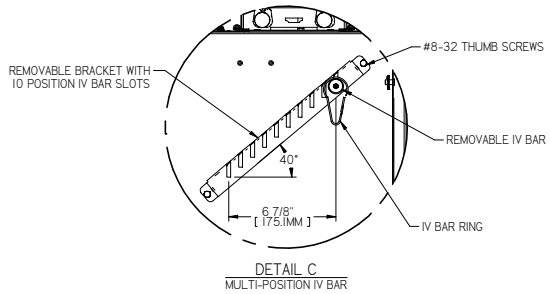
1 2 3 4 5 6 7 8

<small>DO NOT SCALE DRAWING</small> <small>REMOVE ALL DIMS AND DIMP DIMS</small> <small>ALL DIMENSIONS TO CENTERLINE UNLESS NOTED</small>				<small>151 Lakeside Road, North Attle, MA 01943</small> <small>PH: 508-334-8771 web: www.baker-usa.com</small>
<small>ALL ITEMS MUST BE ROHS COMPLIANT</small>		<b>EDGE GARD MODEL EG501 HORZ FLOW CLEAN BENCH</b>		
<small>DATE</small> Imccarthy	<small>DATE</small> 3/24/2022	<small>SIZE</small> D	<small>DESCRIPTION</small> BGA-EG501-STD	<small>REV</small> B
		3 OF 13		

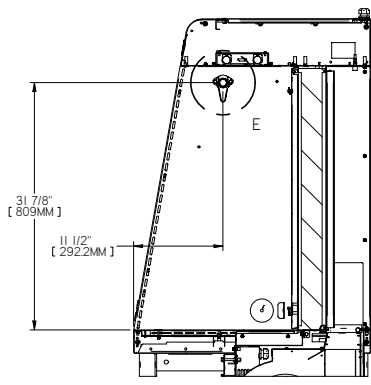
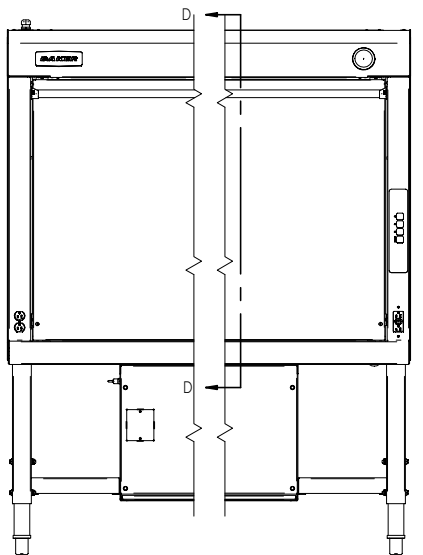
REV	DESCRIPTION	DATE	DRN	CHK-BY	CHK-DATE
A	ORIGINAL RELEASE	-	-	-	-
B	UPDATED DRAWING AFTER UL TEST RESULTS	6/6/22	LAM	-	-



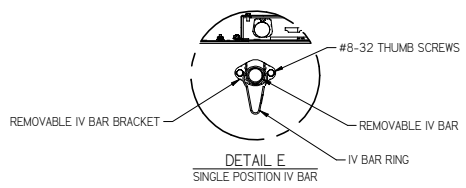
SECTION B-B



DETAIL C  
MULTI-POSITION IV BAR



SECTION D-D



DETAIL E  
SINGLE POSITION IV BAR

IV BAR MOUNTING LOCATIONS

<small>DO NOT SCALE DRAWING</small> <small>REMOVE ALL DIMS AND DIMP SIZES</small> <small>ALL DIMENSIONS TO CENTER UNLESS NOTED</small>				<small>161 Lakeside Road, Fairfield, ME 04753</small> <small>PH: 207.324.8771   web: www.baker-usa.com</small>	<small>For drawings and file contents</small> <small>visit our website at</small> <small>www.baker-usa.com</small>
<p><b>EDGE GARD MODEL EG501 HORZ FLOW CLEAN BENCH</b></p>					
<small>REVISED</small> Imccarthy	<small>DATE</small> 3/24/2022	<small>SIZE</small> D	<small>MODEL</small> BGA-EG501-STD	<small>REV</small> B	<small>4 OF 13</small>

1 2 3 4 5 6 7 8

REV	DESCRIPTION	DATE	DRN	CHK-BY	CRG-DATE
A	ORIGINAL RELEASE	-	-	-	-
B	UPDATED DRAWING AFTER UL TEST RESULTS	6/6/22	LAM	-	-

D

D

C

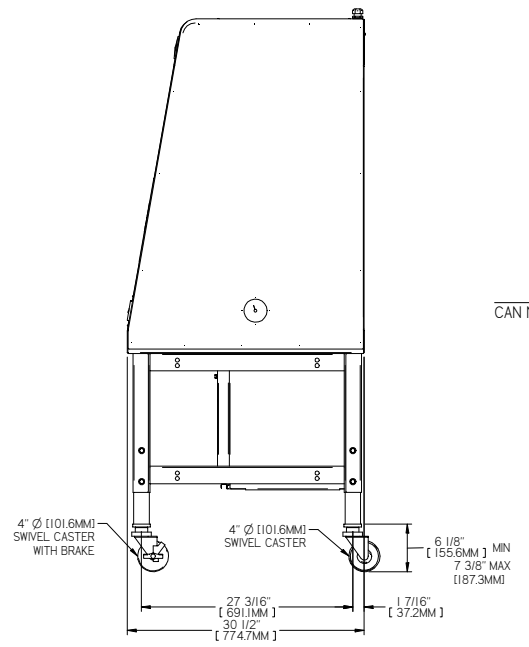
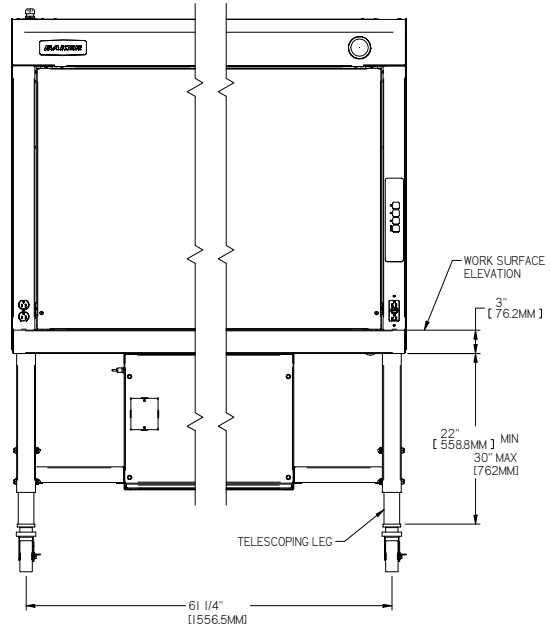
C

B

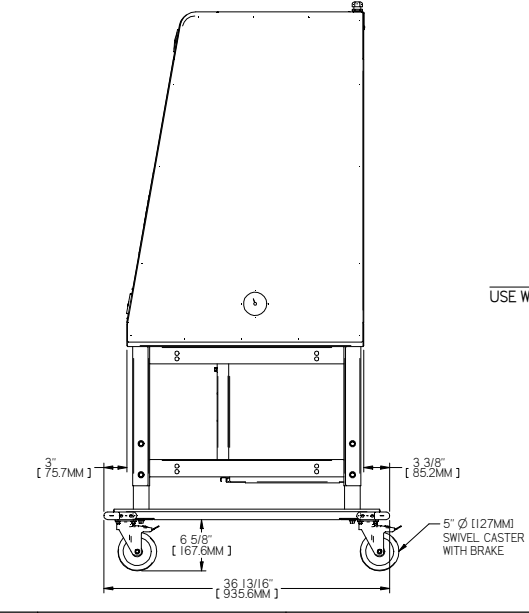
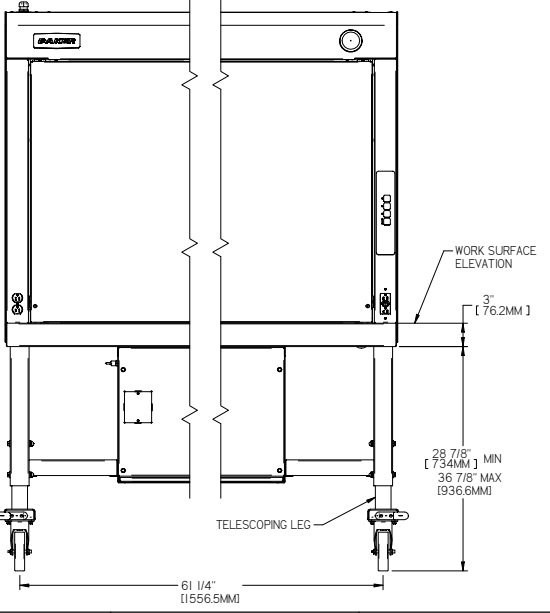
B

A

A



4" Ø CASTER OPTION  
CAN NOT BE USED WITH ERGOTRON ARM OPTION



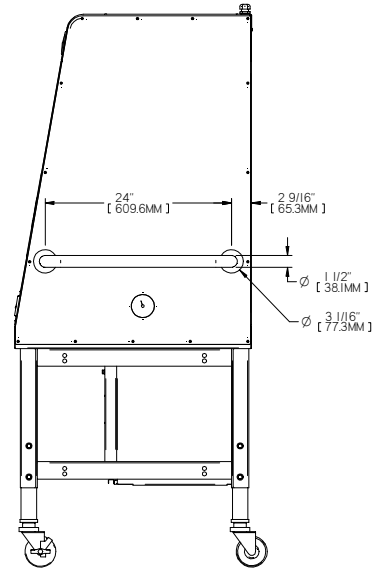
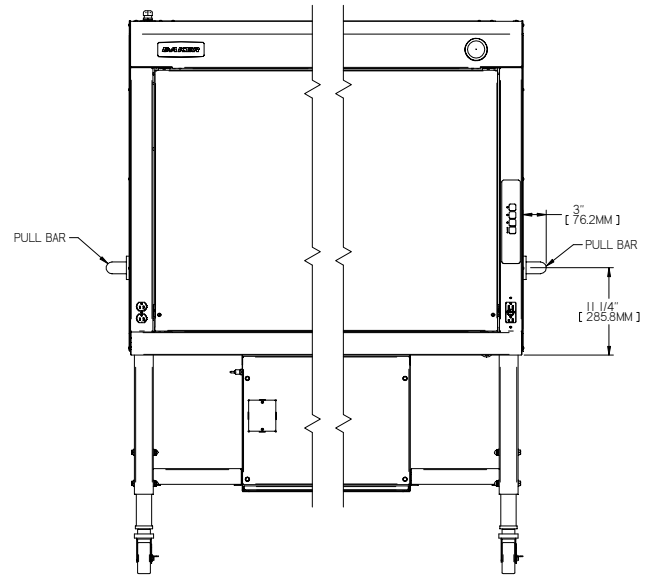
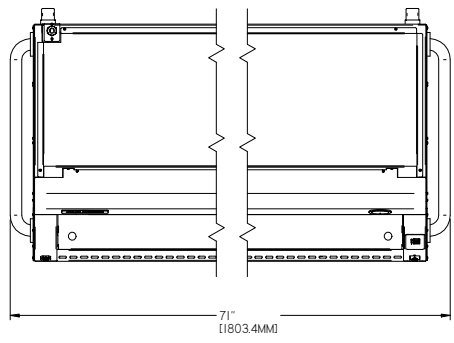
5" Ø CASTER OPTION  
USE WHEN ERGOTRON ARM OPTION IS ALSO REQUIRED

<small>BAKER CLEAN BENCHES</small> <small>DO NOT SCALE DRAWING</small> <small>REMOVE ALL BOLTS AND NUTS FROM BENCHES</small> <small>SEE INSTRUCTIONS FOR REINSTALLATION</small>				<small>161 Southview Road, Northport, ME 04261</small> <small>PH: 207-334-8771 web: www.baker-usa.com</small>	<small>For drawing and file contents</small> <small>visit our website at</small> <small>www.baker-usa.com</small>
<b>EDGEgard MODEL EG501 HORZ FLOW CLEAN BENCH</b>				<small>SIZE</small> MATERIAL	<small>DATE</small>
<small>ALL ITEMS MUST BE ROHS COMPLIANT</small>				<b>BGA-EG501-STD</b>	<b>B</b>
<small>DATE</small> Imccarthy	<small>DATE</small> 3/24/2022	<small>DATE</small> 3/24/2022	<small>DATE</small> 3/24/2022	5 OF 13	REV

1 2 3 4 5 6 7 8

1 2 3 4 5 6 7 8

REV	DESCRIPTION	DATE	DRN	CHK-BY	CHK-DATE
A	ORIGINAL RELEASE	-	-	-	-
B	UPDATED DRAWING AFTER UL TEST RESULTS	6/6/22	LAM	-	-



PULL BAR OPTION

1 2 3 4 5 6 7 8

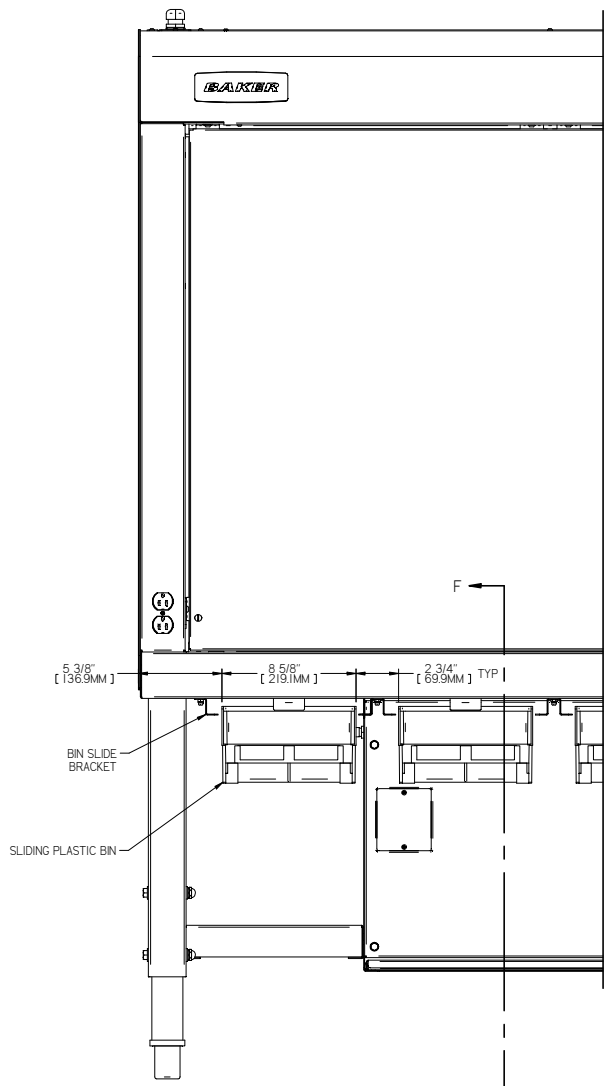
<small>DO NOT SCALE DRAWING</small> <small>REMOVE ALL DIMENSIONS AND DIMENSIONS</small> <small>ALL DIMENSIONS TO UNLESS OTHERWISE SPECIFIED</small>				<small>151 Lakeshore Blvd. North, Mt. Airy, NC 28551</small> <small>PH: 252.334.8771 web: www.baker-usa.com</small>
<small>ALL ITEMS MUST BE ROHS COMPLIANT</small>		<b>EDGEgard MODEL EG501 HORZ FLOW CLEAN BENCH</b>		<small>THIS DRAWING AND ITS CONTENTS ARE THE PROPERTY OF BAKER. IT IS TO BE USED ONLY FOR THE PROJECT AND SITE SPECIFICALLY IDENTIFIED HEREIN. IT IS NOT TO BE REPRODUCED, COPIED, OR TRANSMITTED IN ANY FORM OR BY ANY MEANS, ELECTRONIC OR MECHANICAL, INCLUDING PHOTOCOPYING, RECORDING, OR BY ANY INFORMATION STORAGE AND RETRIEVAL SYSTEM.</small>
<small>PROJECT:</small> Imccarthy	<small>DATE:</small> 3/24/2022	<small>SIZE:</small> D	<small>QUANT:</small> BGA-EG501-STD	<small>REV:</small> B
				6 OF 13

1 2 3 4 5 6 7 8

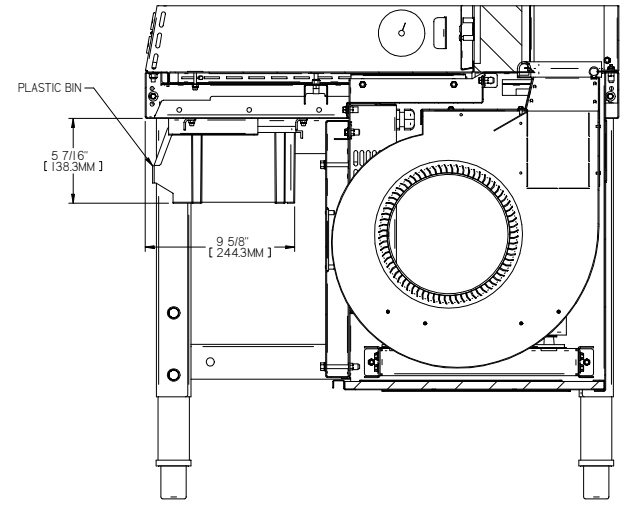
REV	DESCRIPTION	DATE	DRN	CHK BY	CHK DATE
A	ORIGINAL RELEASE	-	-	-	-
B	UPDATED DRAWING AFTER UL TEST RESULTS	6/6/22	LAM	-	-

D  
C  
B  
A

D  
C  
B  
A



BIN OPTION  
MAXIMUM OF FOUR AVAILABLE ON LEFT SIDE



SECTION F-F

1 2 3 4 5 6 7 8

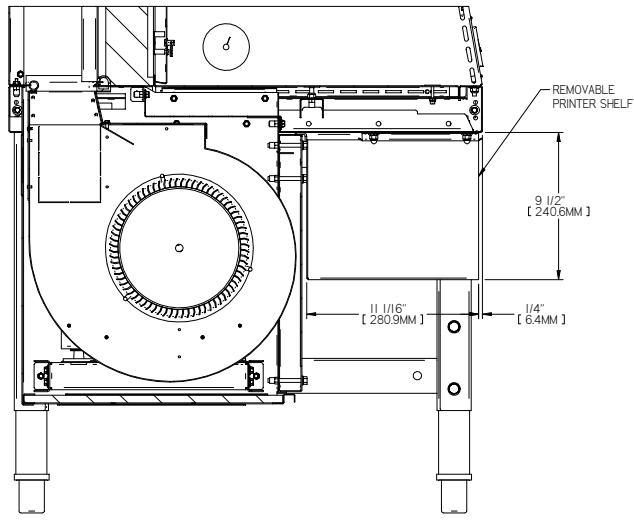
<small>DO NOT REUSE FILTERS</small> <small>REMOVE ALL BATTERIES AND BUMP STOPPERS</small> <small>SEE INSTRUCTIONS FOR PROPER DISPOSAL</small>				<small>151 Lakeshore Blvd. North, Mt. Airy, NC 28551</small> <small>PH: 252.334.8771 web: www.baker-usa.com</small>	<small>For more information on our products and services, visit our website at www.baker-usa.com</small>
<small>ALL ITEMS MUST BE ROHS COMPLIANT</small>			<b>EDGE GARD MODEL EG501 HORZ FLOW CLEAN BENCH</b>		
<small>REVISED</small> Imccarthy	<small>DATE</small> 3/24/2022	<small>SIZE</small> D	<small>QUANT</small> -	<small>PART</small> BGA-EG501-STD	<small>REV</small> B
<small>7 OF 13</small>					

1 2 3 4 5 6 7 8

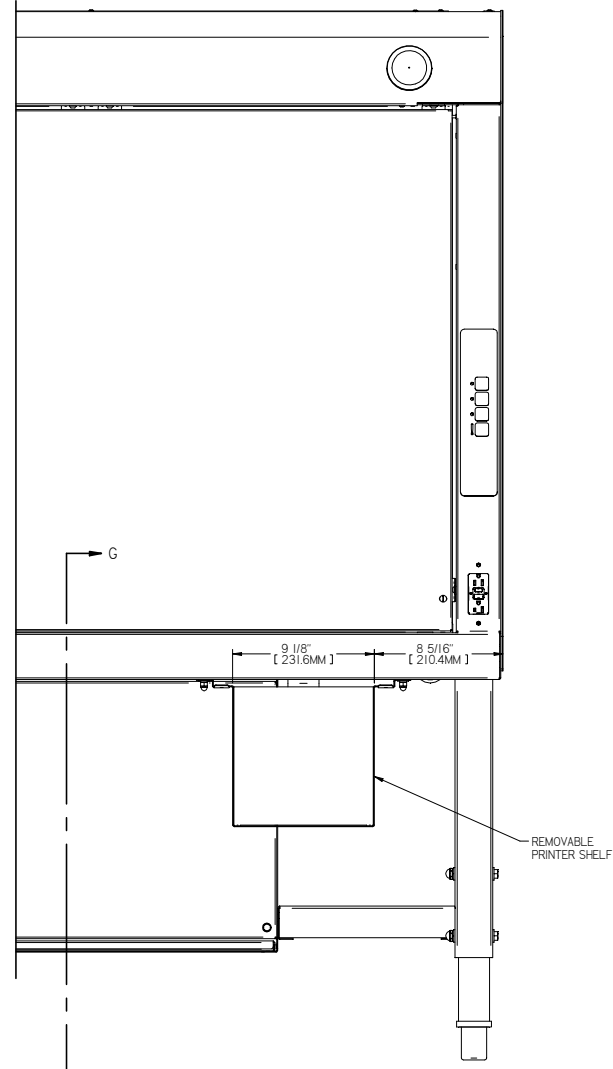
REV	DESCRIPTION	DATE	DRN	CHK BY	CHK DATE
A	ORIGINAL RELEASE	-	-	-	-
B	UPDATED DRAWING AFTER UL TEST RESULTS	6/6/22	LAM	-	-

D  
C  
B  
A

D  
C  
B  
A



SECTION G-G



PRINTER SHELF OPTION

1 2 3 4 5 6 7 8

<small>DO NOT SCALE DRAWING</small> <small>REMOVE ALL DIMS AND DIMP DIMS</small> <small>ALL DIMENSIONS TO CENTER UNLESS NOTED</small>				<small>151 Lakeside Road, Fairfield, ME 04743</small> <small>PH: 207.324.8771 web: www.baker-usa.com</small>	<small>FOR DIMENSIONS AND TO ORDER</small> <small>PLEASE REFER TO THE DRAWING TITLE</small>
<small>ALL ITEMS MUST BE ROHS COMPLIANT</small>		<b>EDGE GARD MODEL EG501 HORZ FLOW CLEAN BENCH</b>			
<small>DATE</small> Imccarthy	<small>REV</small> 3/24/2022	<small>SIZE</small> D	<small>MODEL</small> BGA-EG501-STD	<small>REV</small> B	8 OF 13





1 2 3 4 5 6 7 8

REV	DESCRIPTION	DATE	DRN	CHK BY	CRD DATE
A	ORIGINAL RELEASE	-	-	-	-
B	UPDATED DRAWING AFTER UL TEST RESULTS	6/6/22	LAM	-	-

D

C

B

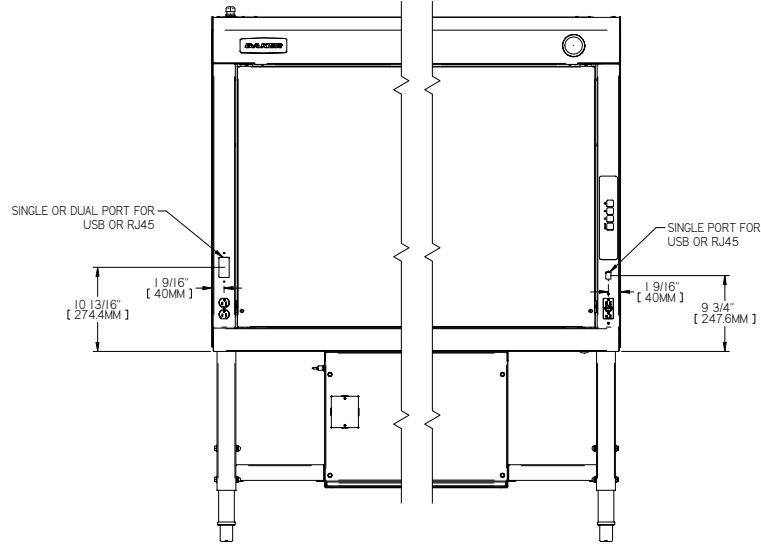
A

D

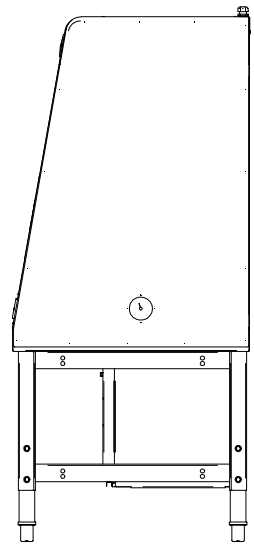
C

B

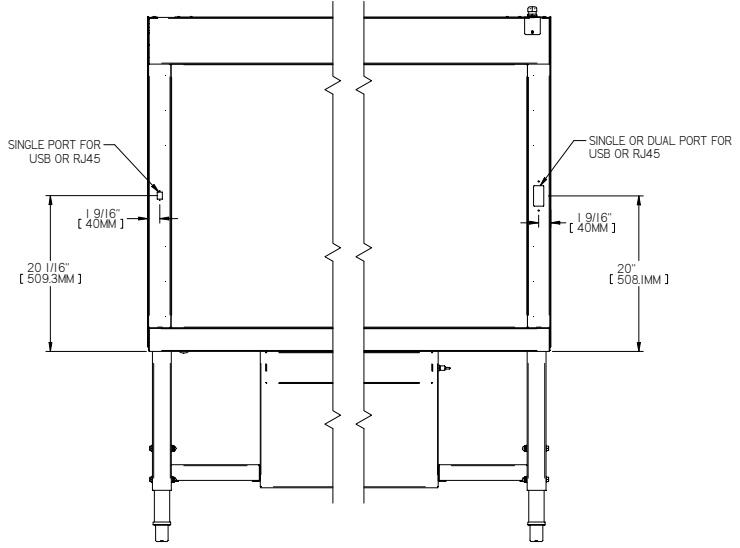
A



FRONT VIEW



RIGHT SIDE VIEW



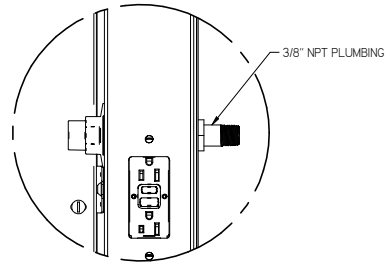
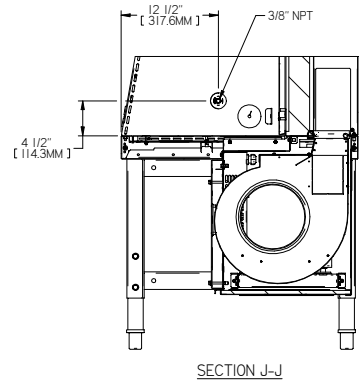
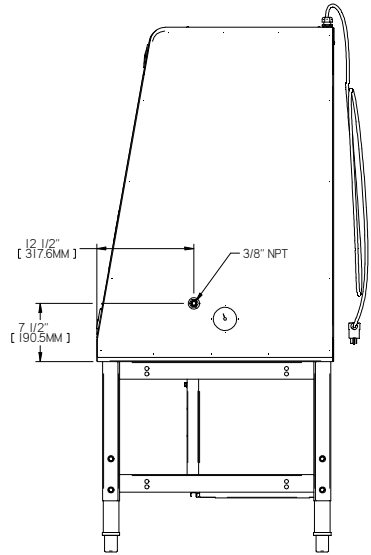
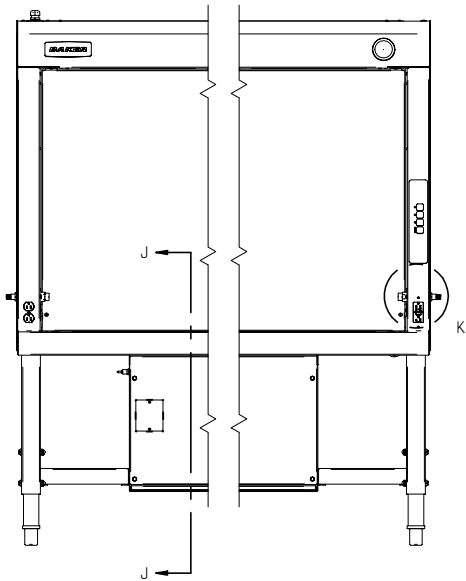
REAR VIEW

DATA PORT OPTION

1 2 3 4 5 6 7 8

<small>DO NOT SCALE DRAWING</small> <small>REMOVE ALL DIMS AND DIMP DIMS</small> <small>ALL DIMENSIONS TO CENTER UNLESS NOTED</small>				<small>161 Lakeshore Blvd. North, Mt. Airy, NC 28551</small> <small>PH: 252.324.8771 web: www.baker-usa.com</small>	<small>For drawing use, its contents, and any other use, you must obtain the written permission of Baker Instrument Company.</small>
<b>EDGEGARD MODEL EG501 HORZ FLOW CLEAN BENCH</b>					
<small>ALL ITEMS MUST BE ROHS COMPLIANT</small>	MODEL: Imccarthy DATE: 3/24/2022	SIZE: D QUOTE NUMBER:	PART: BGA-EG501-STD	SHEET: 10 OF 13	REV: B

REV	DESCRIPTION	DATE	DRN	CHK BY	CHK DATE
A	ORIGINAL RELEASE	-	-	-	-
B	UPDATED DRAWING AFTER UL TEST RESULTS	8/6/2022	LAM	-	-



**PLUMBING OPTION**

DETAIL K  
PLUMBING THROUGH SIDE WALL  
TYP OTHER SIDE WALL

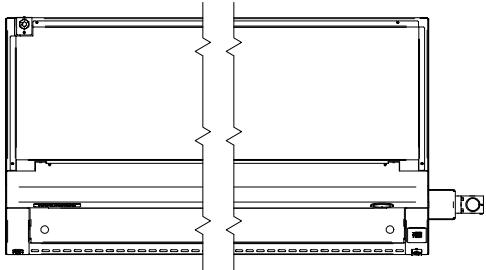
<small>BAKER</small> 101 Lakeside Road, North Attle, MA 01945 PH: 508-334-8771 web: www.baker-usa.com		<small>BAKER</small> 101 Lakeside Road, North Attle, MA 01945 PH: 508-334-8771 web: www.baker-usa.com
<b>EDGEgard MODEL EG501 HORZ FLOW CLEAN BENCH</b>		
Imccarthy 3/24/2022	D 11 OF 13	BGA-EG501-STD B

1 2 3 4 5 6 7 8

REV	DESCRIPTION	DATE	DRN	CHK-BY	CHK-DATE
A	ORIGINAL RELEASE	-	-	-	-
B	UPDATED DRAWING AFTER UL TEST RESULTS	6/6/22	LAM	-	-

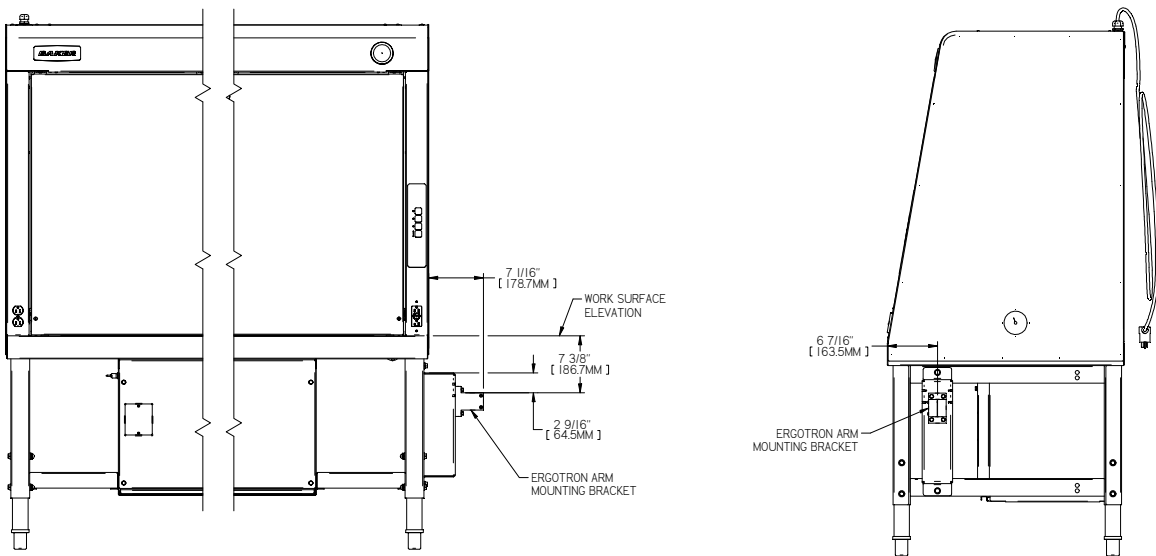
D

D



C

C



B

B

A

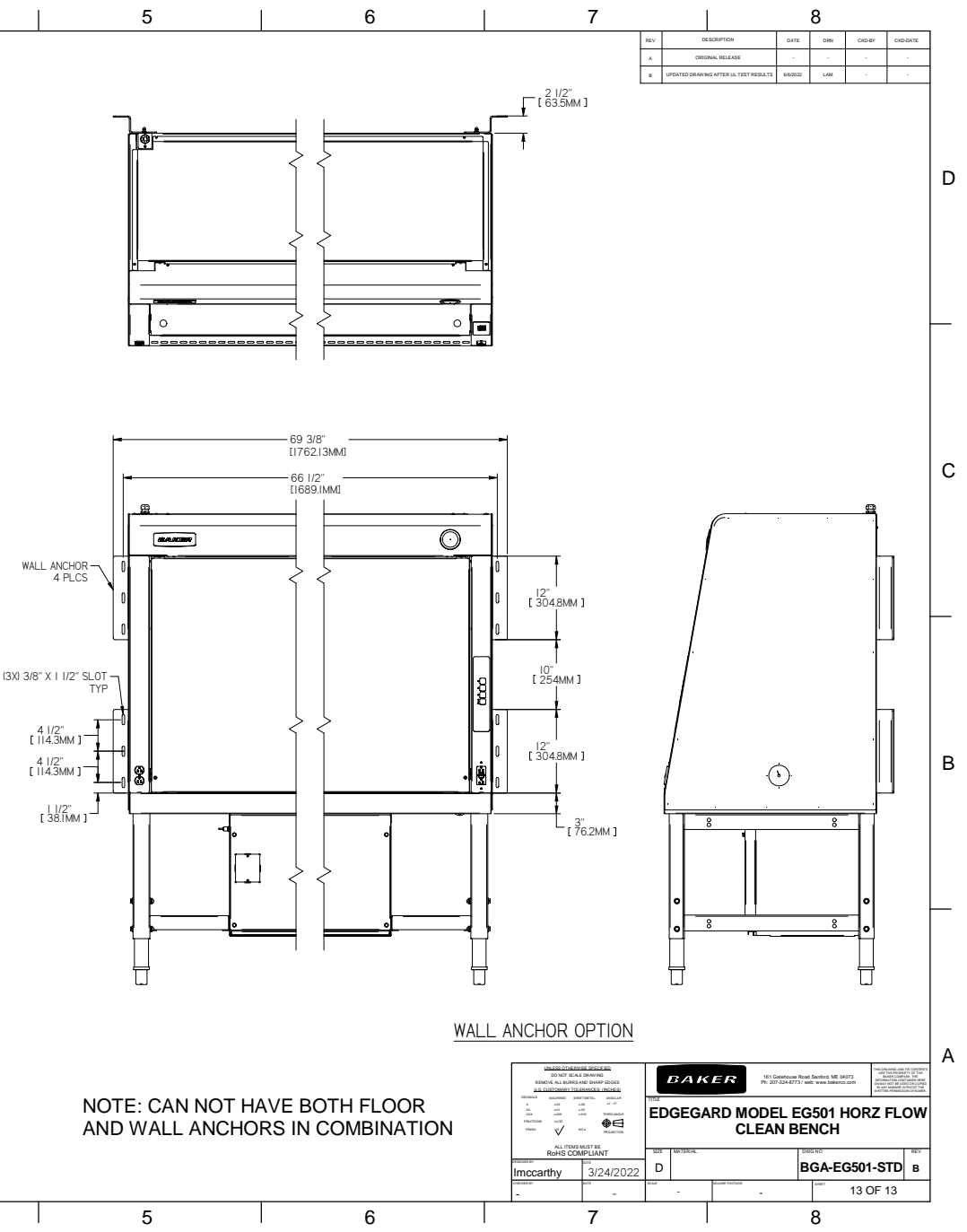
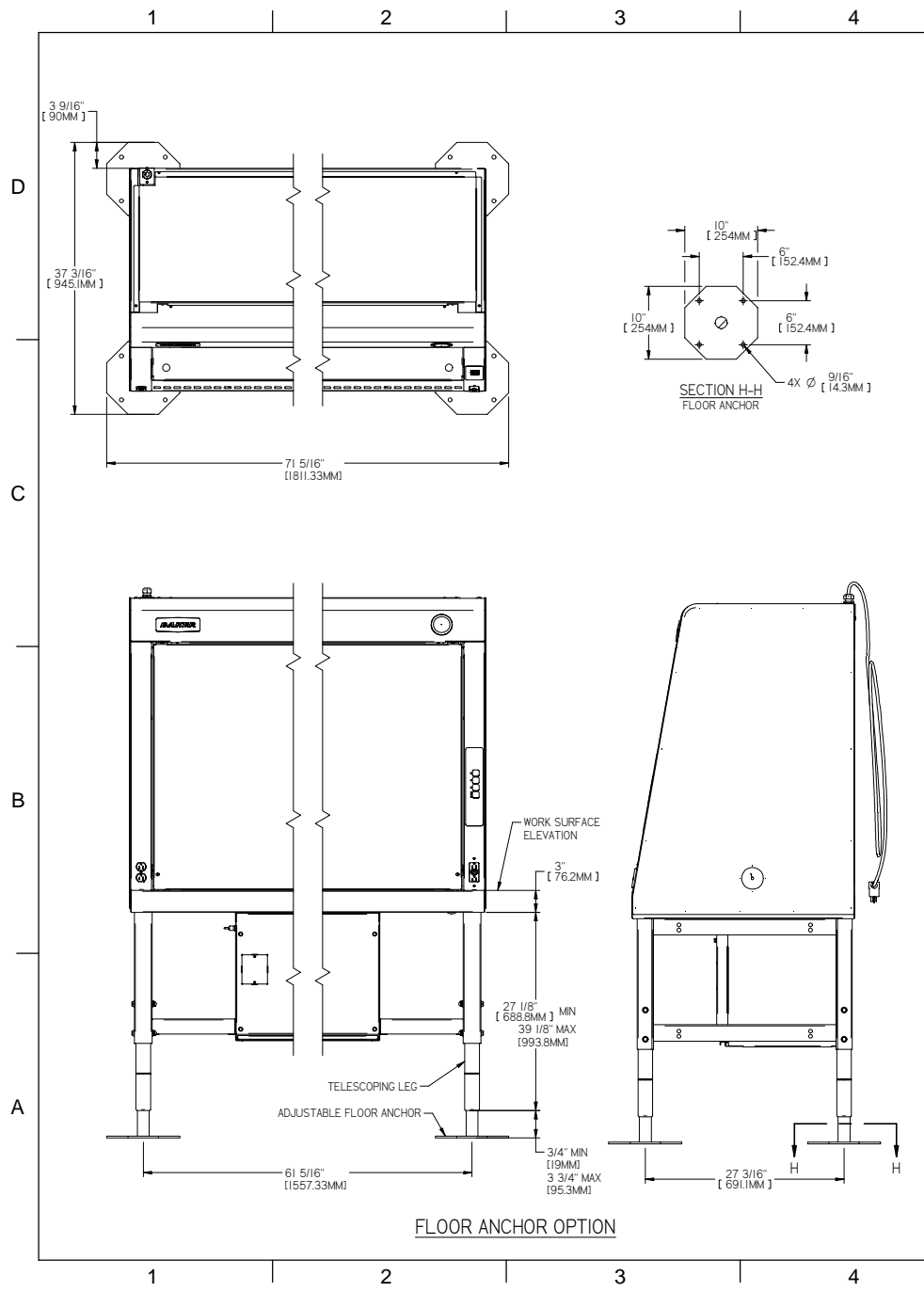
A

ERGOTRON ARM MOUNT  
 RIGHT SIDE MOUNTING SHOWN  
 CAN ALSO BE LEFT SIDE MOUNTED

<small>BAKER</small> <small>151 Lakeshore Blvd. South, St. Louis, MO 63127          PH: 314.241.4771 web: www.baker-usa.com</small>		<small>FOR INFORMATION ONLY - NOT TO SCALE</small> <small>REMOVE ALL BOLTS AND NUTS FROM THE WORK SURFACE</small> <small>SEE DIMENSIONS FOR MOUNTING BRACKET</small>
<b>EDGEgard MODEL EG501 HORZ FLOW CLEAN BENCH</b>		<small>ALL ITEMS MUST BE ROHS COMPLIANT</small>
<small>DATE</small> Imccarthy	<small>DATE</small> 3/24/2022	<small>SIZE</small> D
<small>DATE</small> -		<small>SIZE</small> BGA-EG501-STD
<small>DATE</small> -		<small>REV</small> B
<small>DATE</small> -		<small>REV</small> 12 OF 13

1 2 3 4 5 6 7 8

REV	DESCRIPTION	DATE	DRN	CHK BY	CRG DATE
A	ORIGINAL RELEASE	-	-	-	-
B	UPDATED DRAWING AFTER UL TEST RESULTS	6/6/22	LAM	-	-



<small>BAKER</small> 151 Southview Road, Northport, ME 05857 PH: 207.334.8771 web: www.baker-usa.com		<small>BAKER</small> 151 Southview Road, Northport, ME 05857 PH: 207.334.8771 web: www.baker-usa.com
<b>EDGE GARD MODEL EG501 HORZ FLOW CLEAN BENCH</b>		
MODEL: Imccarthy DATE: 3/24/2022	SIZE: D PART: BGA-EG501-STD	REV: B 13 OF 13