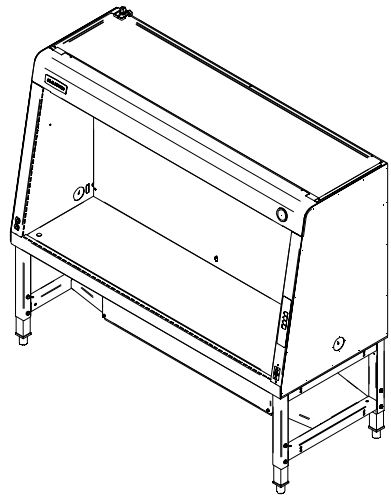
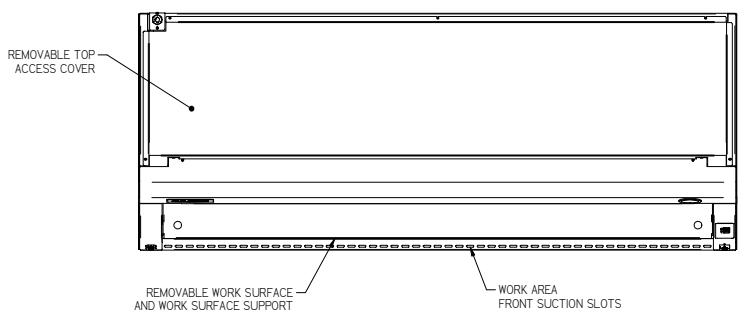


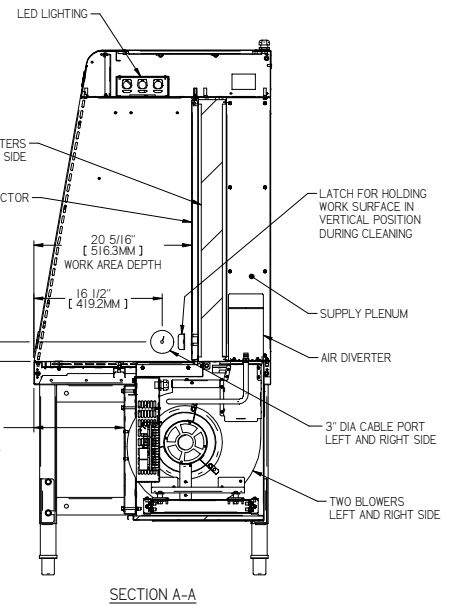
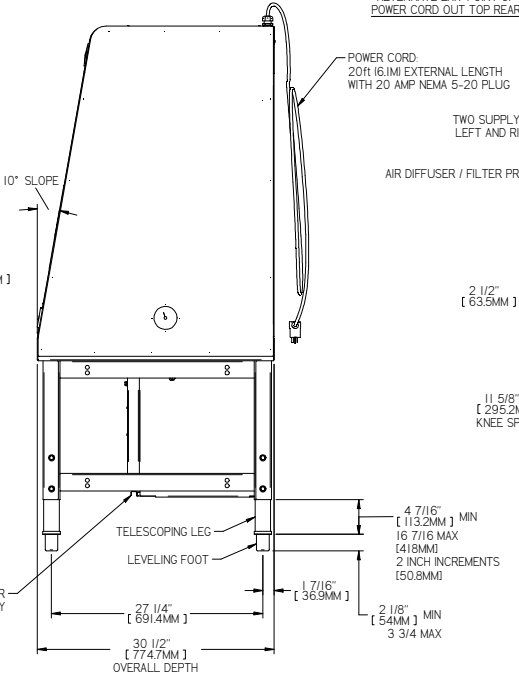
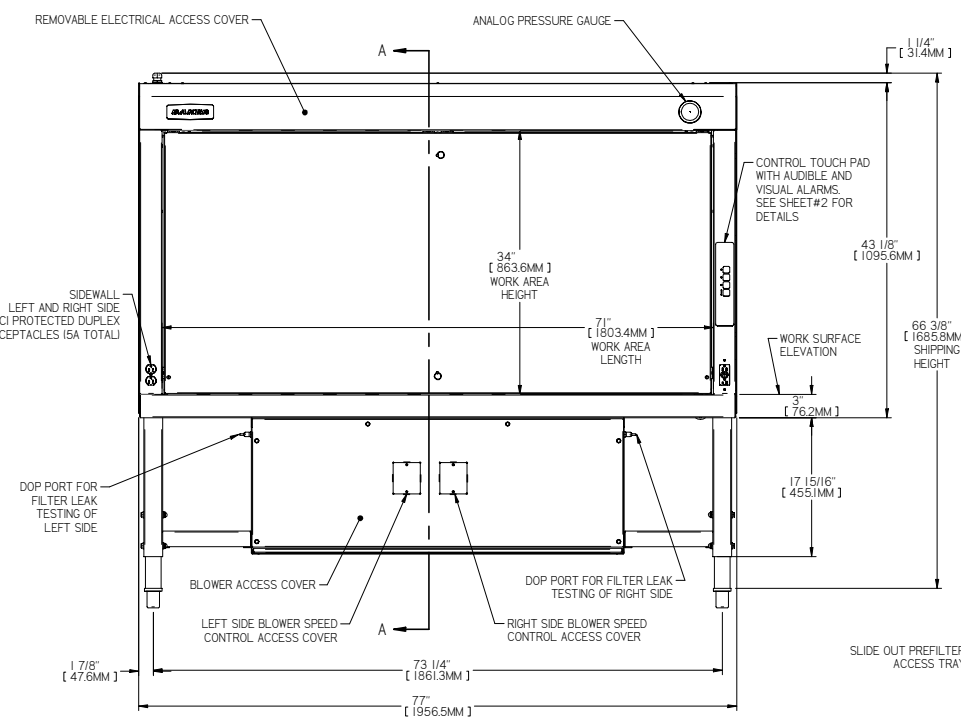
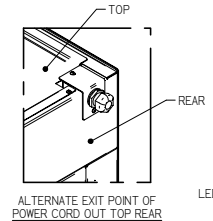
REV	DESCRIPTION	DATE	DRN	CHK BY	CRD DATE
A	ORIGINAL RELEASE				
B	UPDATED DRAWING AFTER UL TEST RESULTS	04/2022	LAM		

D
C
B
A

D
C
B
A



- NOTES:
1. ELECTRICAL REQUIREMENTS: 115 VAC, 20 AMP, 60 HZ, SINGLE PHASE
 2. CONSTRUCTION:
WORKSURFACE/WORK AREA - 16 GA[1.5 MM] 304 SS, #4 FINISH
ACCESS PANELS - 16[1.5 MM] & 18 GA.[1.2 MM] C.R.S. WITH A BAKER PERMA WHITE POLYESTER HYBRID POWDER COAT FINISH
 3. FILTER, MOTOR, BLOWER AND ALL ELECTRICAL COMPONENTS ARE FRONT ACCESSIBLE.
 4. MATERIAL OPTIONS: CRS AND SS CONSTRUCTION.



IMPORTANT: 41-3/8" MAX. WORK SURFACE ELEVATION PER UL 10 DEGREE TILT TEST

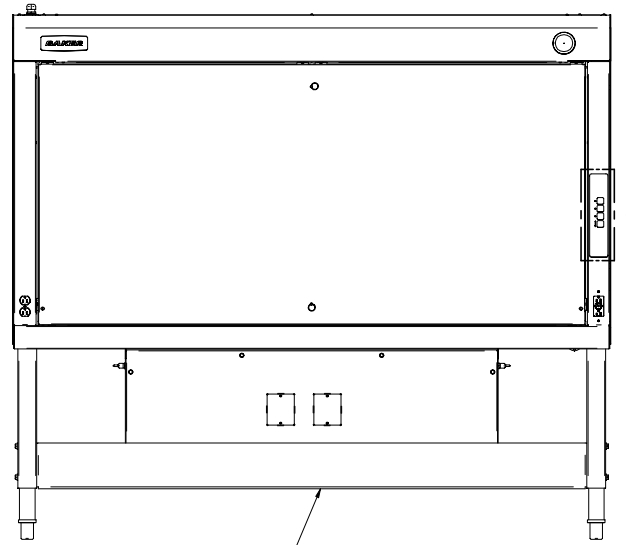
STANDARD UNIT WEIGHT = 665 LBS [302 KG]
WITH POWERED LIFT STAND = 736 LBS [334 KG]



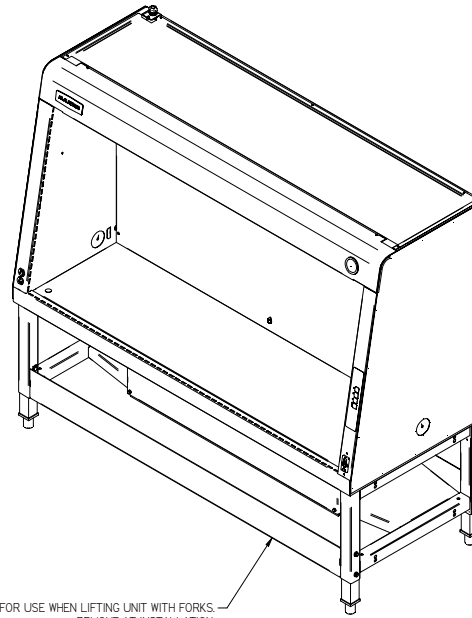
		<small>181 Southbrook River Street, Mil. 06117, PH: 203.334.8771 web: www.baker-us.com</small>	
EDGE GARD MODEL EG601 HORZ FLOW CLEAN BENCH			
<small>REVISIONS</small> <small>DATE</small> <small>BY</small> <small>DESCRIPTION</small>	<small>DATE</small> <small>BY</small> <small>DESCRIPTION</small>	<small>DATE</small> <small>BY</small> <small>DESCRIPTION</small>	<small>DATE</small> <small>BY</small> <small>DESCRIPTION</small>
Imccarthy	3/24/2022		
<small>ALL ITEMS MUST BE ROHS COMPLIANT</small>		<small>REV</small> D	<small>REV</small> BGA-EG601-STD
		<small>1 OF 13</small>	

1 2 3 4 5 6 7 8

REV	DESCRIPTION	DATE	DRN	CHK BY	CRG DATE
A	ORIGINAL RELEASE	-	-	-	-
B	UPDATED DRAWING AFTER UL TEST RESULTS	8/6/22	LAM	-	-

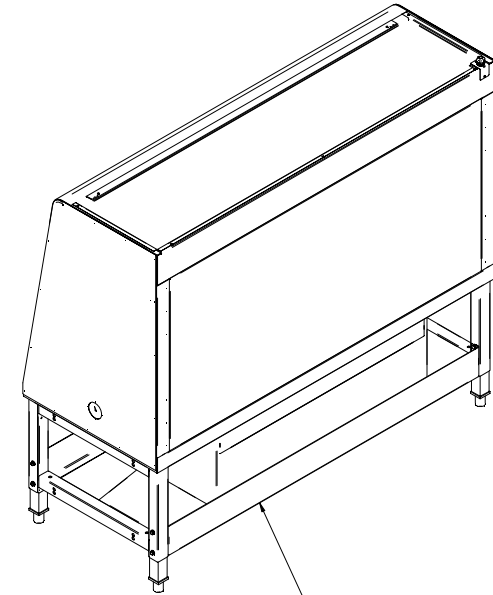


SHIPPING BRACE FOR USE WHEN LIFTING UNIT WITH FORKS

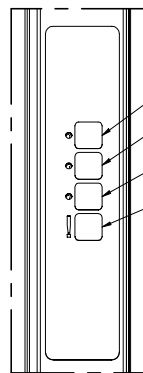


FRONT SHIPPING BRACE FOR USE WHEN LIFTING UNIT WITH FORKS - REMOVE AT INSTALLATION

SHOWN WITH SHIPPING BRACE



REAR SHIPPING BRACE FOR USE WHEN LIFTING UNIT WITH FORKS - CAN LEAVE IN PLACE AT INSTALLATION



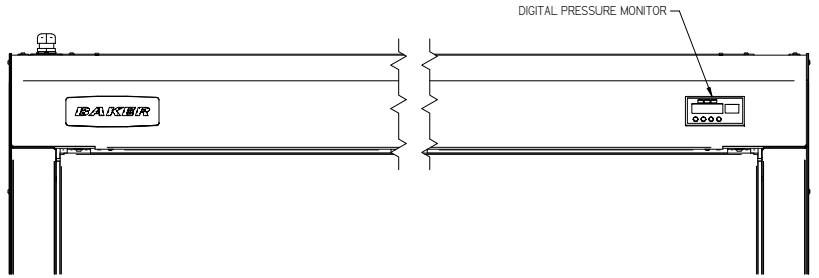
DETAIL J
CONTROL TOUCH PAD LAYOUT

- LED LIGHT ON/OFF
- OUTLET POWER ON/OFF
- BLOWER ON/OFF
- ALARM MUTE (ALARM RESET)

<small>DO NOT RE-USE SHIPPERS REMOVE ALL BOLTS AND SHIP BOLTS CALL CUSTOMERS FOR SERVICE INSTRUCTIONS</small>				<small>181 Southview Road, Fairfield, NJ 07004 PH: 201-324-8771 web: www.baker-usa.com</small>
EDGE GARD MODEL EG601 HORZ FLOW CLEAN BENCH				<small>For drawings and file contents please refer to the drawing and file contents in the drawing folder.</small>
<small>ALL ITEMS MUST BE ROHS COMPLIANT</small>	<small>DATE</small> Imccarthy 3/24/2022	<small>SIZE</small> D	<small>DESCRIPTION</small> BGA-EG601-STD	<small>REV</small> B
<small>2 OF 13</small>				

1 2 3 4 5 6 7 8

REV	DESCRIPTION	DATE	DRN	CHK BY	CHK DATE
A	ORIGINAL RELEASE	-	-	-	-
B	UPDATED DRAWING AFTER UL TEST RESULTS	6/6/2022	LAM	-	-



DIGITAL PRESSURE MONITOR OPTION

D
C
B
A

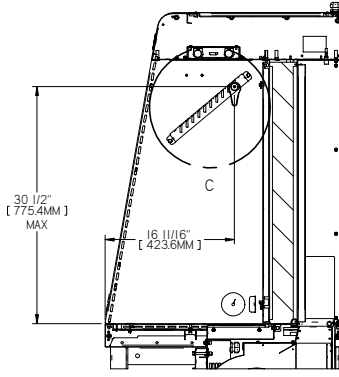
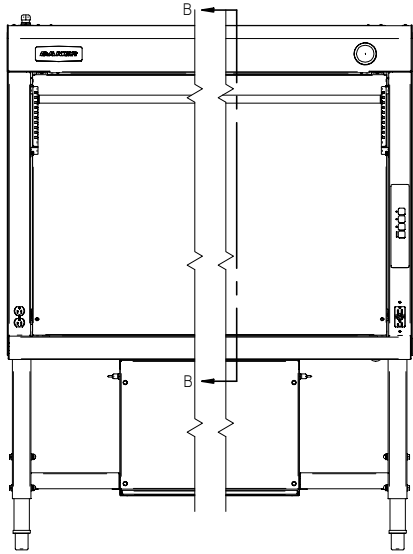
D
C
B
A

1 2 3 4 5 6 7 8

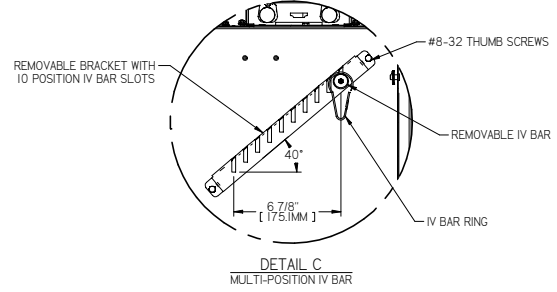
<small>DO NOT SCALE DRAWING</small> <small>REMOVE ALL DIMS AND DIMP DIMS</small> <small>ALL DIMENSIONS TO CENTER UNLESS NOTED</small>				<small>151 Lakeshore Blvd. South, Mt. Airy, NC 28551</small> <small>PH: 252.334.8771 web: www.baker-usa.com</small>
<small>ALL ITEMS MUST BE ROHS COMPLIANT</small>		EDGE GARD MODEL EG601 HORZ FLOW CLEAN BENCH		
<small>DESIGNED BY</small> Imccarthy	<small>DATE</small> 3/24/2022	<small>SIZE</small> D	<small>DESCRIPTION</small> BGA-EG601-STD	<small>REV</small> B
<small>3 OF 13</small>		<small>3 OF 13</small>		

1 2 3 4 5 6 7 8

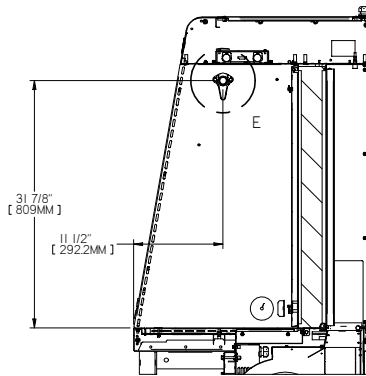
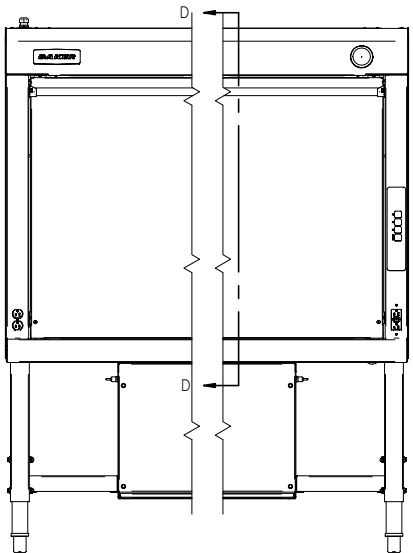
REV	DESCRIPTION	DATE	DRN	CHK-BY	CHK-DATE
A	ORIGINAL RELEASE	-	-	-	-
B	UPDATED DRAWING AFTER UL TEST RESULTS	6/6/22	LAM	-	-



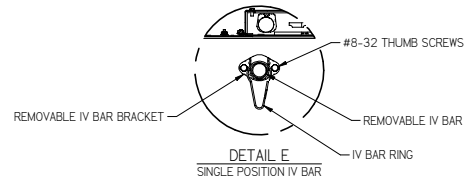
SECTION B-B



DETAIL C
MULTI-POSITION IV BAR



SECTION D-D



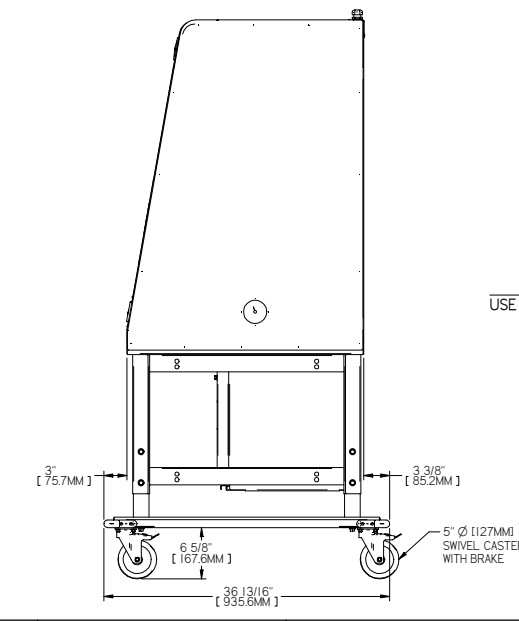
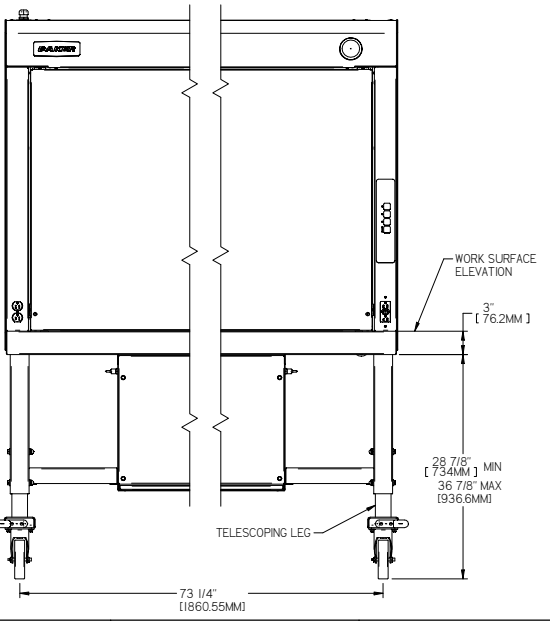
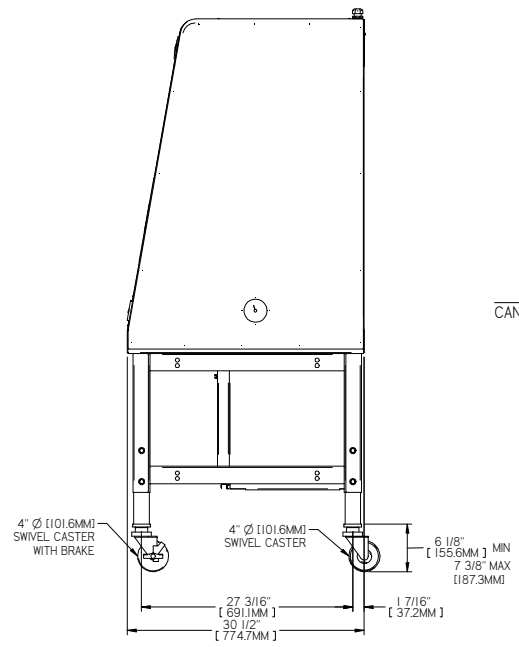
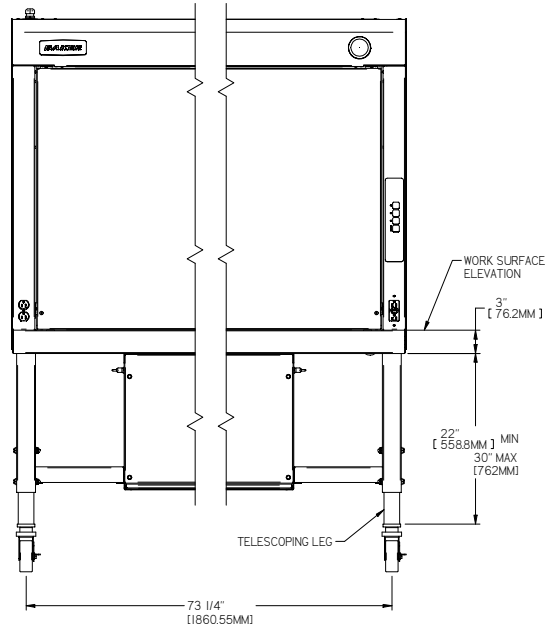
DETAIL E
SINGLE POSITION IV BAR

IV BAR MOUNTING LOCATIONS

<small>BAKER</small> 151 Lakeside Road, Shelton, CT 06484 PH: 203.324.8771 web: www.baker-usa.com		ALL ITEMS MUST BE ROHS COMPLIANT	
MODEL: EG601-STD DATE: 3/24/2022		TITLE: EDGE GARD MODEL EG601 HORZ FLOW CLEAN BENCH	
REV: D BY: Imccarthy	DATE: 3/24/2022	PART: BGA-EG601-STD	REV: B
4 OF 13			

1 2 3 4 5 6 7 8

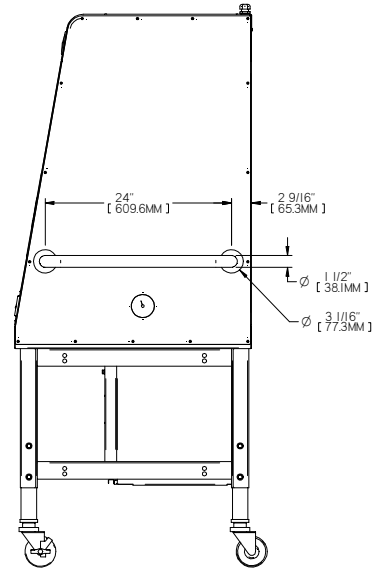
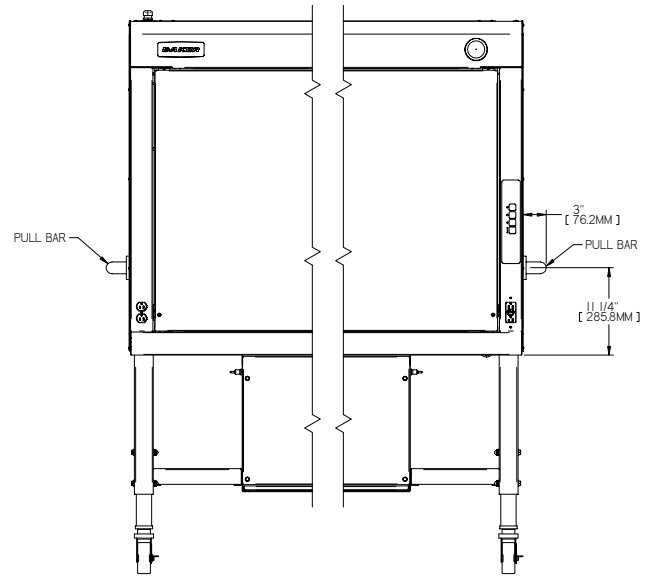
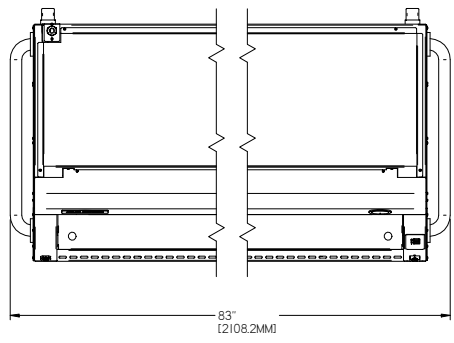
REV	DESCRIPTION	DATE	DRN	CHK-BY	CRG-DATE
A	ORIGINAL RELEASE	-	-	-	-
B	UPDATED DRAWING AFTER UL TEST RESULTS	6/6/22	LAM	-	-



<small>BAKER CLEAN BENCHES</small> <small>DO NOT SCALE DRAWINGS</small> <small>REMOVE ALL BOLTS AND NUTS FROM BENCHES</small> <small>SEE INSTRUCTIONS FOR REPAIRS/REPAIRS</small>		<small>161 Southview Road, Northford, CT 06257</small> <small>PH: 203-334-8771 web: www.baker-usa.com</small>		<small>For drawings and file contents</small> <small>visit our website at</small> <small>www.baker-usa.com</small>
EDGE GARD MODEL EG601 HORZ FLOW CLEAN BENCH				
<small>REVISED</small> <small>DATE</small> <small>BY</small> <small>CHKD</small> <small>APP'D</small>	<small>DATE</small> <small>BY</small> <small>CHKD</small> <small>APP'D</small>	<small>DATE</small> <small>BY</small> <small>CHKD</small> <small>APP'D</small>	<small>DATE</small> <small>BY</small> <small>CHKD</small> <small>APP'D</small>	
<small>ALL ITEMS MUST BE ROHS COMPLIANT</small>		<small>DATE</small> <small>BY</small> <small>CHKD</small> <small>APP'D</small>	<small>DATE</small> <small>BY</small> <small>CHKD</small> <small>APP'D</small>	
Imccarthy	3/24/2022	D	BGA-EG601-STD	
		5 OF 13		

1 2 3 4 5 6 7 8

REV	DESCRIPTION	DATE	DRN	CHK BY	CHK DATE
A	ORIGINAL RELEASE	-	-	-	-
B	UPDATED DRAWING AFTER UL TEST RESULTS	6/6/22	LAM	-	-



PULL BAR OPTION

1 2 3 4 5 6 7 8

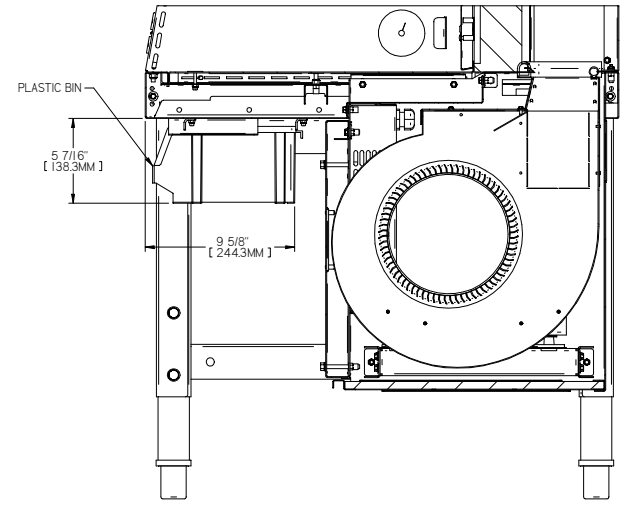
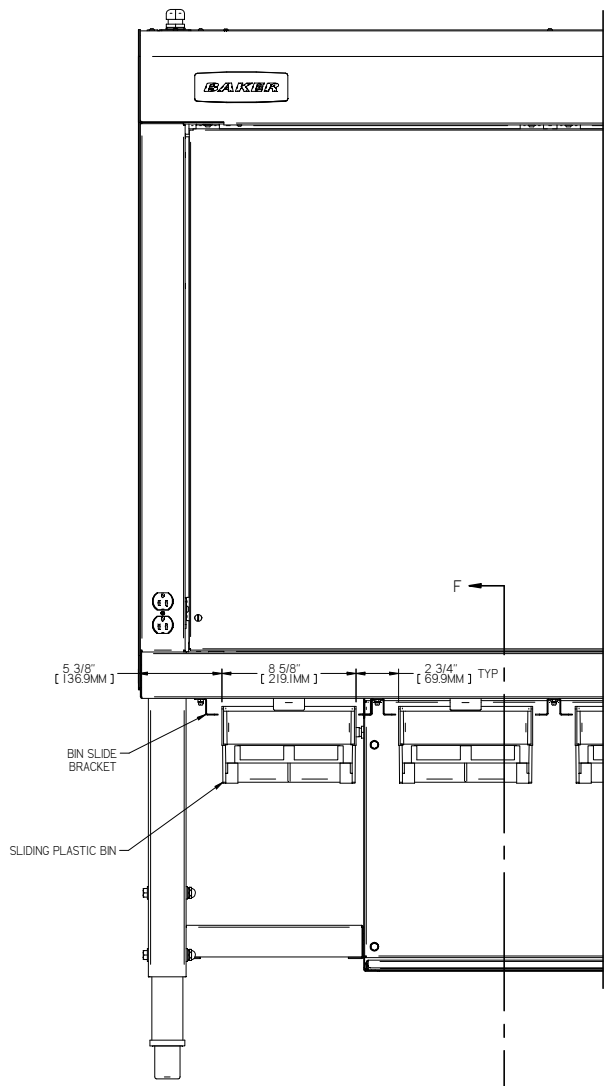
<small>© 2022 BAKER</small> <small>REMOVE ALL BATTERIES AND BATTERY PACKS</small> <small>SEE INSTRUCTIONS FOR BATTERY DISPOSAL</small>				<small>151 Lakeshore Blvd. North, Mt. Airy, NC 28551</small> <small>PH: 252.334.8771 web: www.baker-usa.com</small>
<small>ALL ITEMS MUST BE ROHS COMPLIANT</small>		EDGE GARD MODEL EG601 HORZ FLOW CLEAN BENCH		<small>THIS DRAWING AND ITS CONTENTS ARE THE PROPERTY OF BAKER. IT IS TO BE USED ONLY FOR THE PROJECT AND QUANTITY SPECIFIED. IT IS NOT TO BE REPRODUCED OR TRANSMITTED IN ANY FORM OR BY ANY MEANS, ELECTRONIC OR MECHANICAL, INCLUDING PHOTOCOPYING, RECORDING, OR BY ANY INFORMATION STORAGE AND RETRIEVAL SYSTEM.</small>
<small>REVISED</small> Imccarthy	<small>DATE</small> 3/24/2022	<small>SIZE</small> D	<small>QUANTITY</small> 1	<small>REV</small> B
6 OF 13				

1 2 3 4 5 6 7 8

REV	DESCRIPTION	DATE	DRN	CHK-BY	CHK-DATE
A	ORIGINAL RELEASE	-	-	-	-
B	UPDATED DRAWING AFTER UL TEST RESULTS	6/6/22	LAM	-	-

D
C
B
A

D
C
B
A



BIN OPTION
MAXIMUM OF FIVE AVAILABLE ON LEFT SIDE

SECTION F-F

1 2 3 4 5 6 7 8

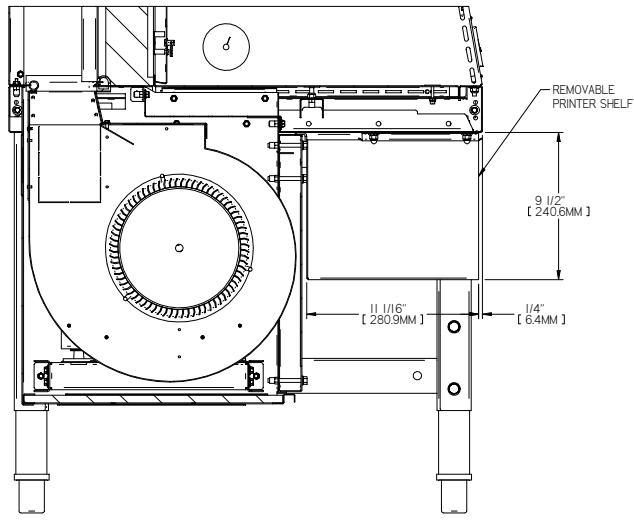
<small>BAKER CORPORATION</small> <small>181 Cambridge Street, North Attle, MA 01937</small> <small>PH: 508-324-8771 web: www.baker-usa.com</small>				<small>FOR SALES AND SERVICE CONTACT:</small> <small>181 Cambridge Street, North Attle, MA 01937</small> <small>PH: 508-324-8771 web: www.baker-usa.com</small>
EDGE GARD MODEL EG601 HORZ FLOW CLEAN BENCH				
<small>REVISIONS</small> <small>DATE</small> <small>BY</small> <small>DESCRIPTION</small>	<small>DATE</small> <small>BY</small> <small>DESCRIPTION</small>	<small>DATE</small> <small>BY</small> <small>DESCRIPTION</small>	<small>DATE</small> <small>BY</small> <small>DESCRIPTION</small>	<small>DATE</small> <small>BY</small> <small>DESCRIPTION</small>
Imccarthy 3/24/2022				
ALL ITEMS MUST BE ROHS COMPLIANT		SIZE: MATERIAL:		DWG NO:
		BGA-EG601-STD		REV:
				7 OF 13

1 2 3 4 5 6 7 8

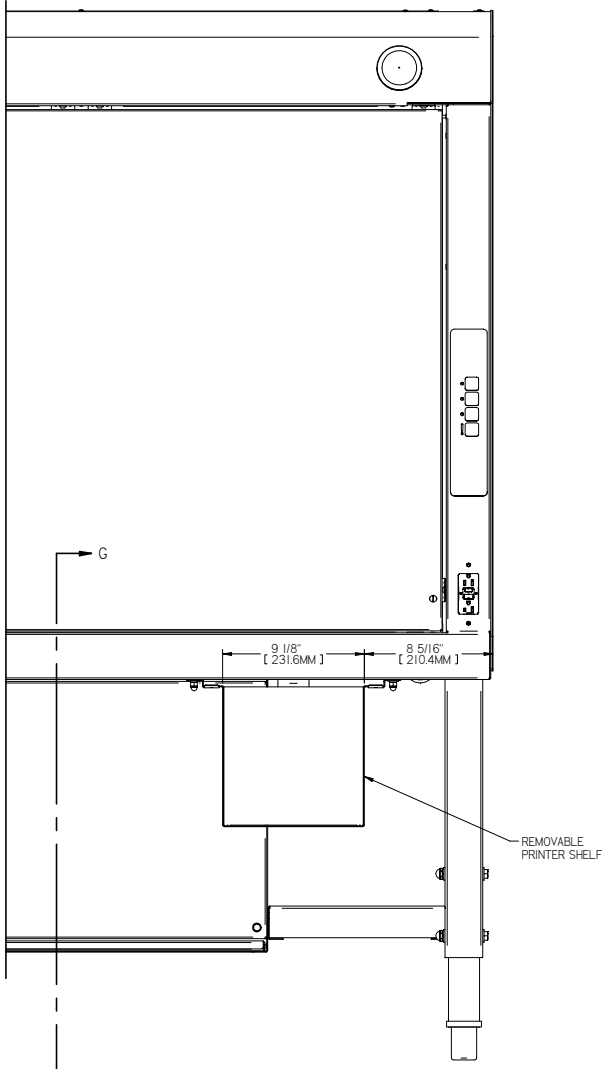
REV	DESCRIPTION	DATE	DRN	CHK BY	CHK DATE
A	ORIGINAL RELEASE	-	-	-	-
B	UPDATED DRAWING AFTER UL TEST RESULTS	6/6/22	LAM	-	-

D
C
B
A

D
C
B
A



SECTION G-G

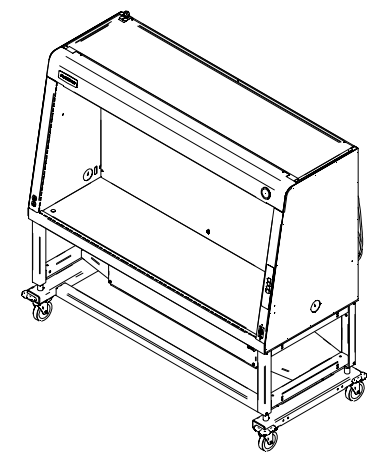
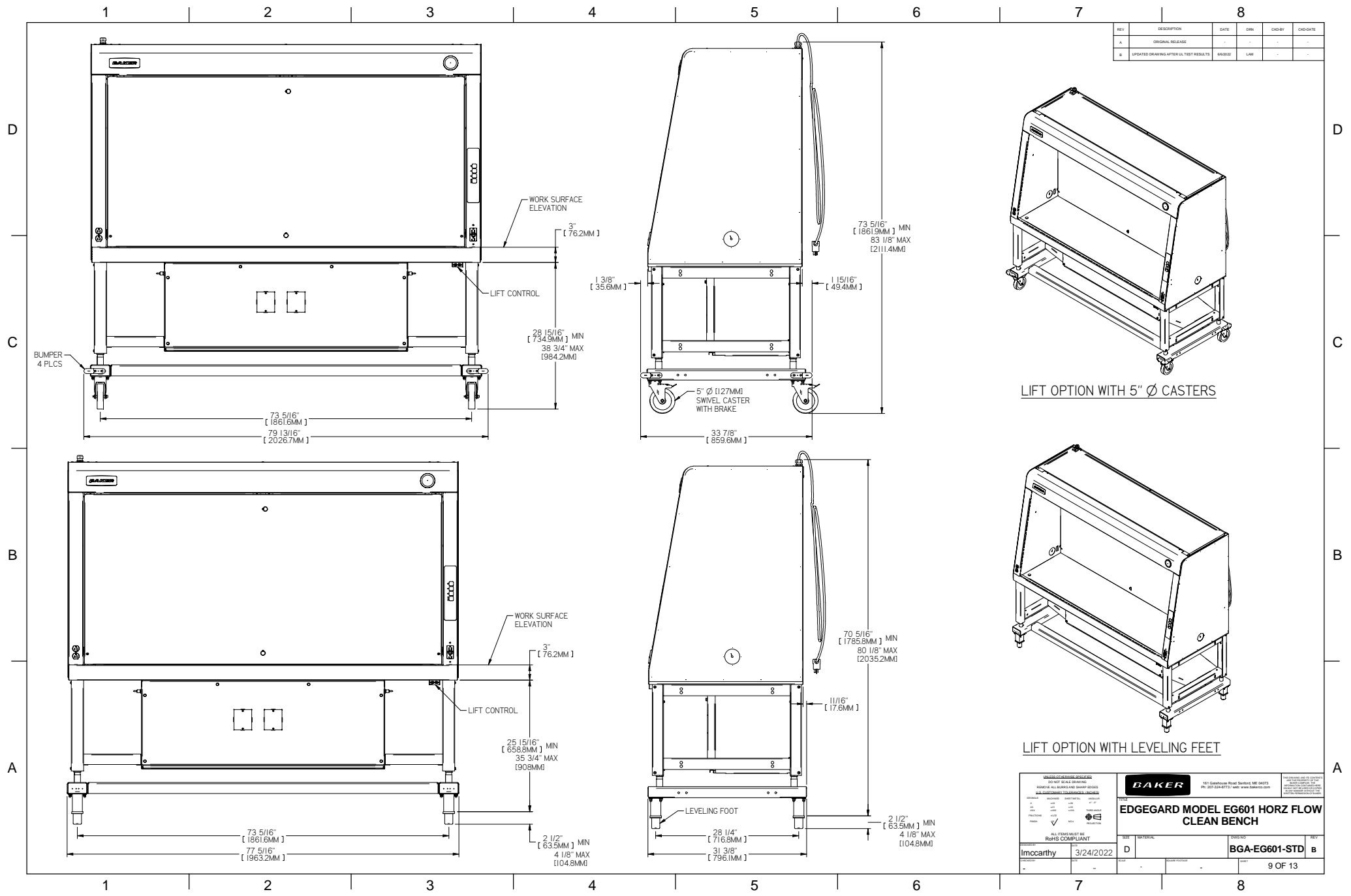


PRINTER SHELF OPTION

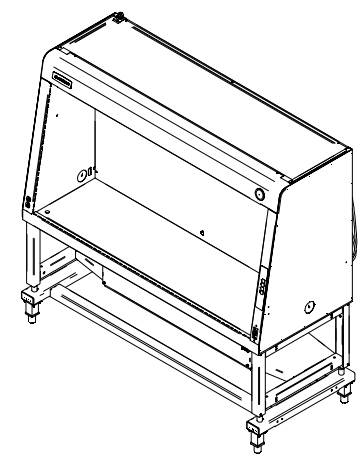
1 2 3 4 5 6 7 8

<small>BAKER CORPORATION</small> <small>101 Lanesboro Road, Lanesboro, MA 01453</small> <small>PH: 507-534-8771 web: www.baker-ita.com</small>		<small>FOR QUOTATIONS AND TO ORDER</small> <small>PLEASE CONTACT:</small> <small>SALES: 507-534-8771</small> <small>TECHNICAL: 507-534-8771</small> <small>MARKETING: 507-534-8771</small>
<small>DO NOT SCALE DRAWING</small> <small>REMOVE ALL DIMENSIONS AND DIMENSIONS</small> <small>ALL DIMENSIONS TO UNLESS OTHERWISE SPECIFIED</small>		BAKER
EDGE GARD MODEL EG601 HORZ FLOW CLEAN BENCH		
<small>ALL ITEMS MUST BE ROHS COMPLIANT</small>	<small>DATE</small> Imccarthy 3/24/2022	<small>REV</small> BGA-EG601-STD B
<small>8 OF 13</small>		<small>REV</small> B

REV	DESCRIPTION	DATE	DRN	CHK BY	CHK DATE
A	ORIGINAL RELEASE				
B	UPDATED DRAWING AFTER UL TEST RESULTS	8/6/22	LAM		



LIFT OPTION WITH 5" Ø CASTERS



LIFT OPTION WITH LEVELING FEET

<small>www.bakerlab.com</small> <small>REMOVE ALL BARRIERS AND BUMPERS BEFORE DISINFECTION TO PREVENT DAMAGE</small>				<small>161 Greenfield Road, Shelton, CT 06484</small> <small>PH: 203.324.8771 web: www.bakerlab.com</small>	
EDGE GARD MODEL EG601 HORZ FLOW CLEAN BENCH					
<small>ALL ITEMS MUST BE ROHS COMPLIANT</small>					
<small>MANUFACTURER</small> Imccarthy	<small>DATE</small> 3/24/2022	<small>SIZE</small> D	<small>MATERIAL</small> BGA-EG601-STD	<small>REV</small> B	<small>9 OF 13</small>

1 2 3 4 5 6 7 8

REV	DESCRIPTION	DATE	DRN	CHK BY	CRG DATE
A	ORIGINAL RELEASE	-	-	-	-
B	UPDATED DRAWING AFTER UL TEST RESULTS	6/6/22	LAM	-	-

D

D

C

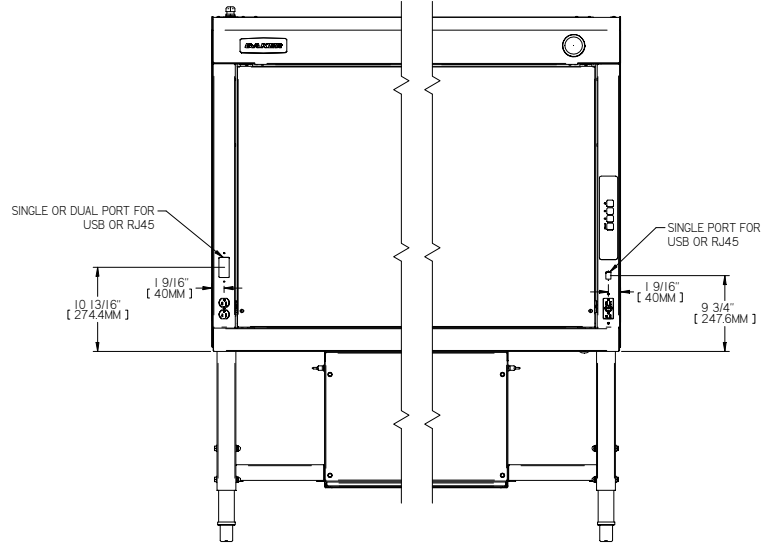
C

B

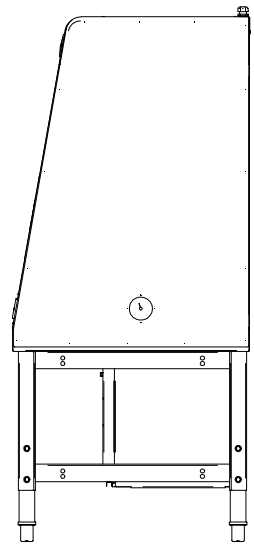
B

A

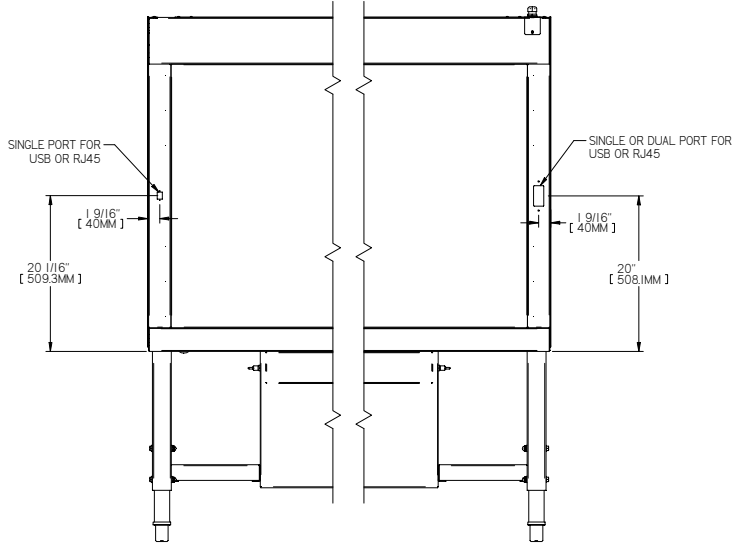
A



FRONT VIEW



RIGHT SIDE VIEW



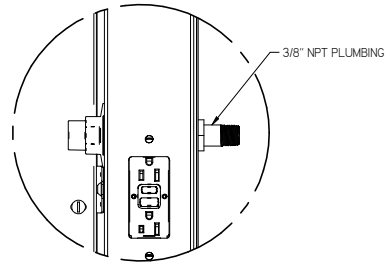
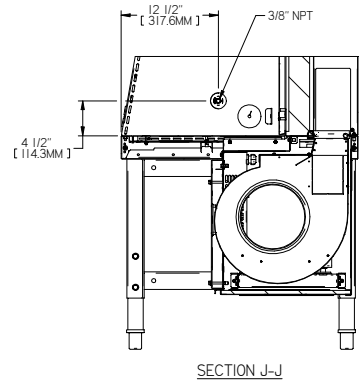
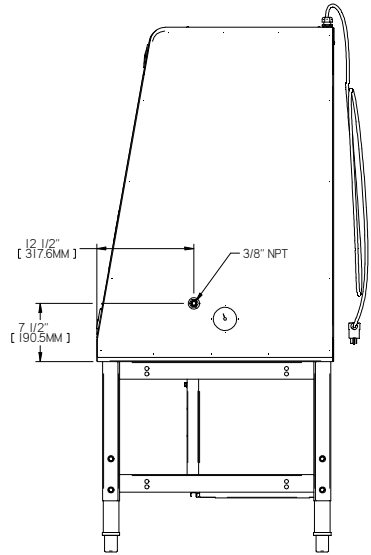
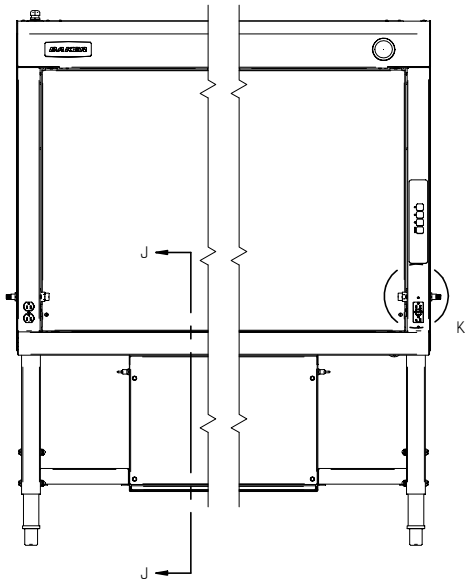
REAR VIEW

DATA PORT OPTION

1 2 3 4 5 6 7 8

<small>DO NOT SCALE DRAWING</small> <small>REMOVE ALL DIMS AND DIMP DIMS</small> <small>ALL DIMENSIONS TO CENTER UNLESS NOTED</small>				<small>161 Lakeside Road, North Attle, MA 01937</small> <small>PH: 508-234-8771 web: www.baker-usa.com</small>	<small>For drawing use, its contents, and any other use, you must obtain the written permission of Baker Corporation.</small>
EDGE GARD MODEL EG601 HORZ FLOW CLEAN BENCH					
<small>ALL ITEMS MUST BE ROHS COMPLIANT</small>		SIZE: D	MATERIAL:	DIMS TO:	REV:
DRAWN BY: Imcarthy	DATE: 3/24/2022	PART:	QUANTITY:	UNIT:	REV: B
10 OF 13					

REV	DESCRIPTION	DATE	DRN	CHK BY	CHK DATE
A	ORIGINAL RELEASE	-	-	-	-
B	UPDATED DRAWING AFTER UL TEST RESULTS	6/6/2022	LAM	-	-



PLUMBING OPTION

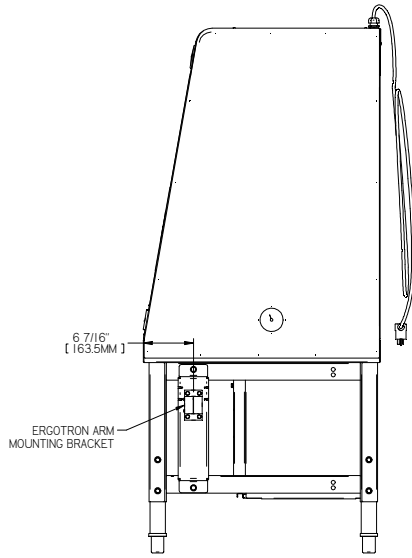
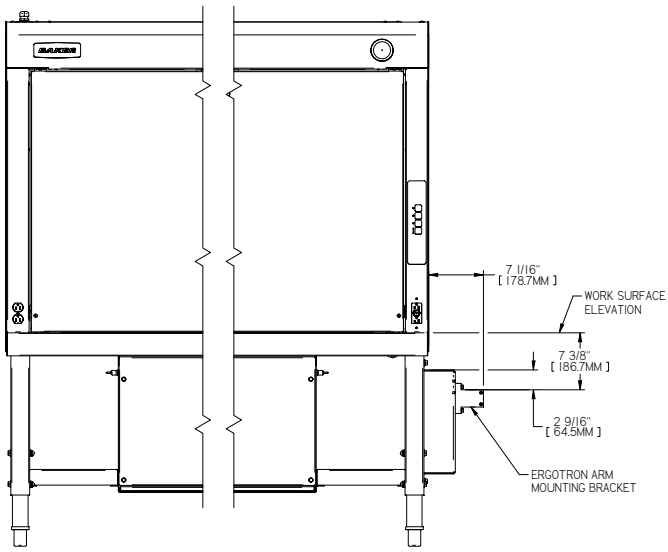
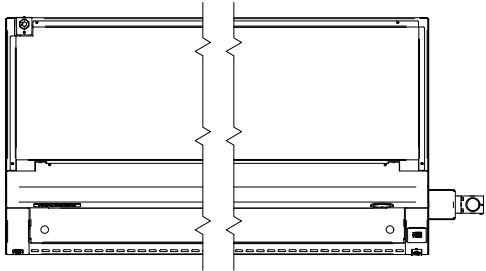
<small>BAKER</small> 101 Lakeshore Blvd., North Andover, MA 01845 PH: 978.234.8771 web: www.baker-usa.com		<small>BAKER</small> 101 Lakeshore Blvd., North Andover, MA 01845 PH: 978.234.8771 web: www.baker-usa.com	
EDGEgard MODEL EG601 HORZ FLOW CLEAN BENCH			
Imccarthy 3/24/2022	D	BGA-EG601-STD	B
11 OF 13			

1 2 3 4 5 6 7 8

REV	DESCRIPTION	DATE	DRN	CHK-BY	CHK-DATE
A	ORIGINAL RELEASE	-	-	-	-
B	UPDATED DRAWING AFTER UL TEST RESULTS	6/6/22	LAM	-	-

D
C
B
A

D
C
B
A

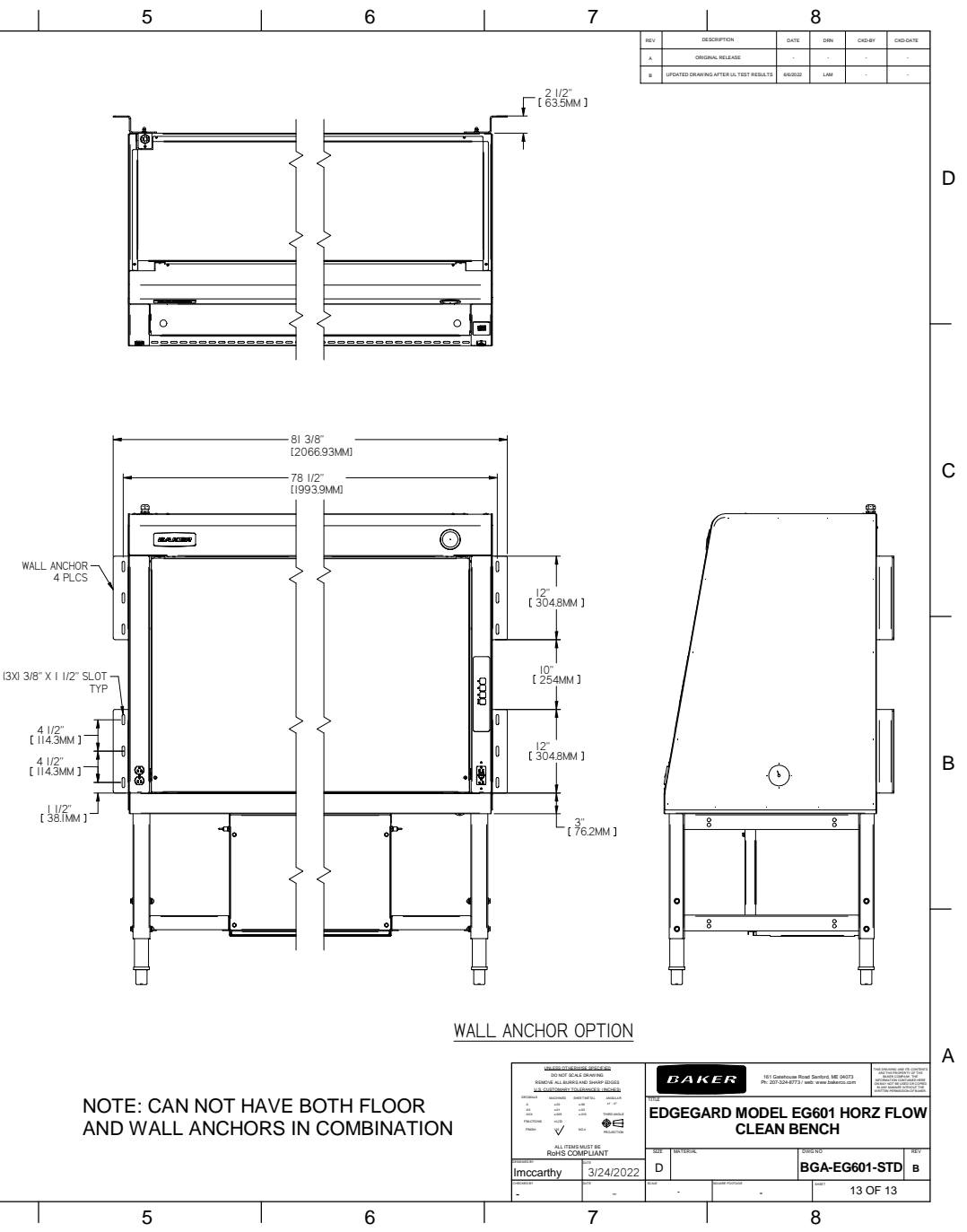
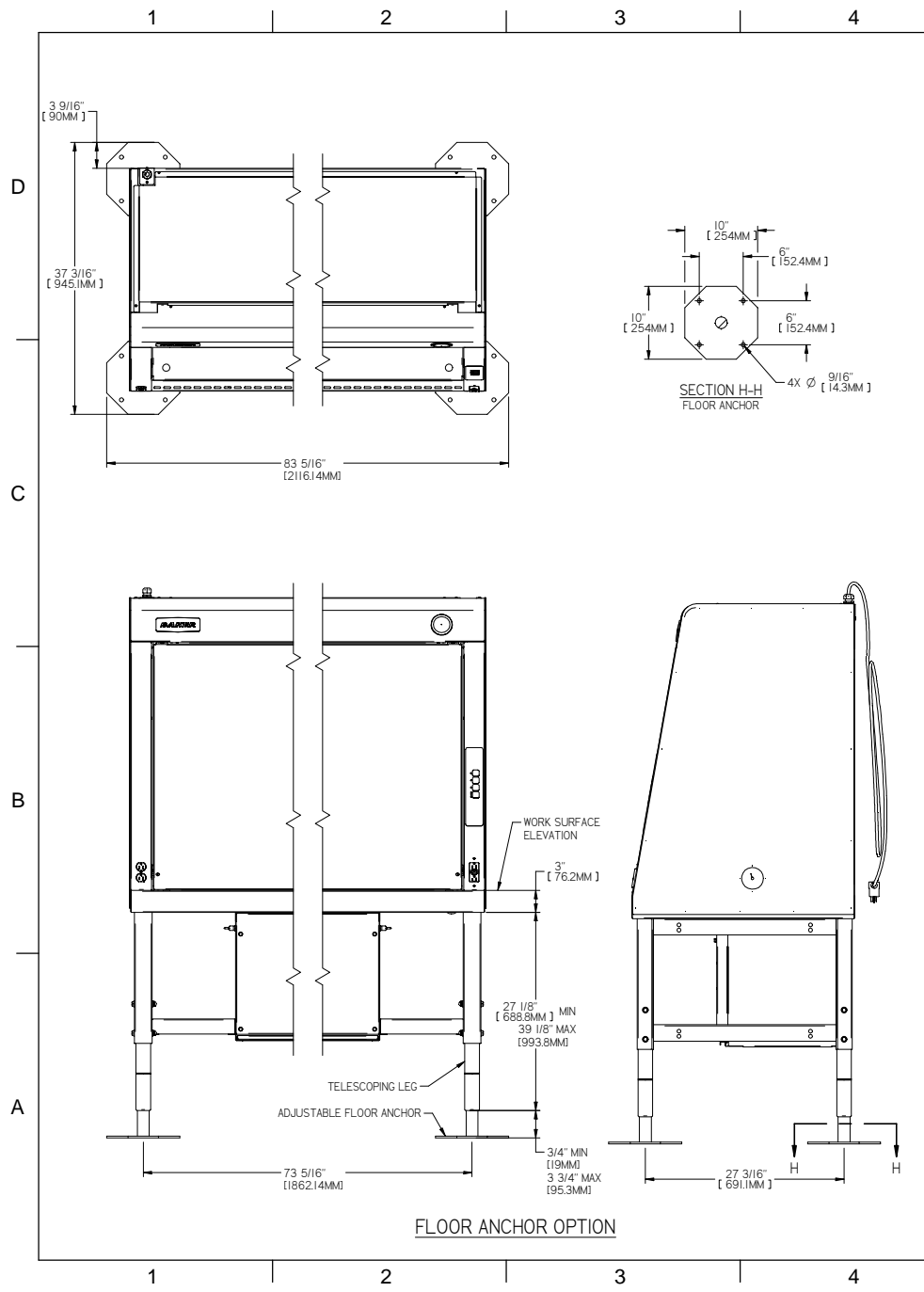


ERGOTRON ARM MOUNT
 RIGHT SIDE MOUNTING SHOWN
 CAN ALSO BE LEFT SIDE MOUNTED

1 2 3 4 5 6 7 8

<small>BAKER</small> <small>151 Lakeshore Blvd. South, Mt. Airy, NC 28551 PH: 252.334.8771 web: www.baker-usa.com</small>		<small>FOR INFORMATION ONLY - NOT TO SCALE</small> <small>REMOVE ALL BOLTS AND NUTS FROM THE WORK SURFACE</small> <small>SEE DIMENSIONS FOR MOUNTING BRACKET</small>
EDGE GARD MODEL EG601 HORZ FLOW CLEAN BENCH		<small>ALL ITEMS MUST BE ROHS COMPLIANT</small>
MODEL: Imccarthy DATE: 3/24/2022	SIZE: D QUOTE NUMBER: - PART: 12 OF 13	SERIAL: BGA-EG601-STD REV: B

REV	DESCRIPTION	DATE	DRN	CHK BY	CRG DATE
A	ORIGINAL RELEASE	-	-	-	-
B	UPDATED DRAWING AFTER UL TEST RESULTS	4/6/22	LAM	-	-



<small>BAKER</small> 151 Southview Road, Sanford, ME 04873 PH: 207.334.8771 web: www.baker-usa.com		<small>BAKER</small> 151 Southview Road, Sanford, ME 04873 PH: 207.334.8771 web: www.baker-usa.com
EDGEgard MODEL EG601 HORZ FLOW CLEAN BENCH		
MODEL: Imccarthy DATE: 3/24/2022	SIZE: D MATERIAL:	PART: BGA-EG601-STD REV: B
ALL ITEMS MUST BE ROHS COMPLIANT		
13 OF 13		