

Automated Decontamination for Closed Systems

FOR LIFE SCIENCES

TRINITY™

Exclusive to CURIS System, the TRINITY system packs a powerful one-two punch. As a combined unit, **the CURIS 3 + TRINITY unit work hand-in-hand to treat enclosed systems.** The TRINITY harnesses the power of the CURIS 3 to provide the optimum treatment cycle for each specific enclosure. Just quick connect the unit to the chamber, follow the simple instructions on screen, and press start. TRINITY will take care of the rest. When the treatment is finished, the CURIS 3 can be quickly removed from the TRINITY unit to disinfect an entire room and its contents.

Automated operation makes decontamination easy and ensures the highest validated efficacy. CURIS' Hybrid Hydrogen Peroxide™ (HHP™) technology leverages the power of 7% concentration hydrogen peroxide and an innovative delivery system. It combines the assurance of material compatibility with the confidence of a validated 6-log sporicidal reduction.



ADVANCING BIOSECURITY



MODULAR & VERSATILE

Quickly treat small enclosed systems or decouple and disinfect rooms or laboratories.

TRINITY's small footprint and CURIS 3's light weight enable effortless transport wherever decontamination is needed.



SAFER, FASTER & EASIER TO USE

Easily operate the system from a touchscreen display

(single operator required). TRINITY automatically conditions, decontaminates, and extracts. With only 7% H₂O₂, no constant monitoring is necessary (compared to 35-59% H₂O₂, ClO₂, formaldehyde).

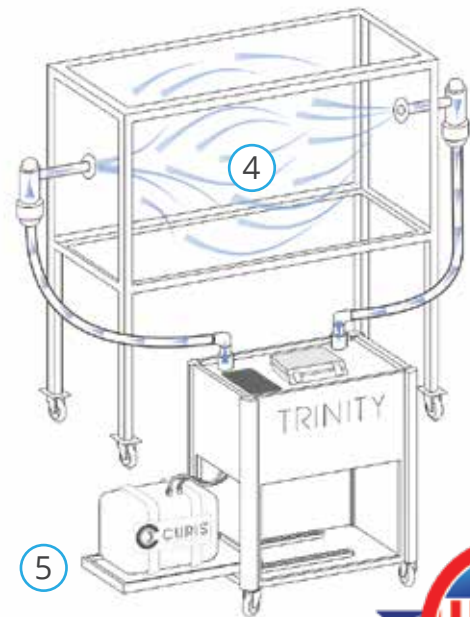
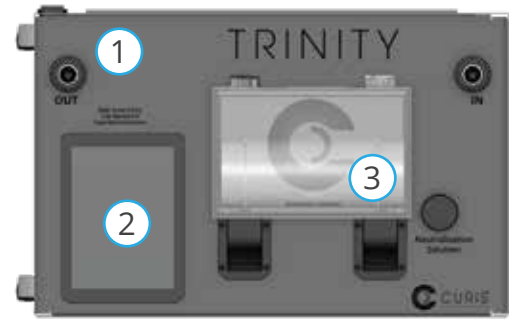


SMART & SECURE

Access live cycle data and device control from your tablet.

Maintain reports to adhere with GMP requirements. Secure data storage helps meet 21 CFR Part 11 compliance.

- 1 **Easy connections** allow for fast decontamination set up
- 2 **Built in display** enables single-point operation
- 3 **Automated in-line extraction** removes any remaining H2O2 from cycle and returns environment to operating conditions, leaving no harmful residues
- 4 **Hybrid Hydrogen Peroxide™ (HHP™) technology** achieves 6-log sporicidal reduction, even within HEPA filters (Simultaneous Decontamination Study)
- 5 **Modular design** enables users to quick connect CURIS 3 to treat small enclosures with the power of TRINITY or decouple for stand alone room treatment, tackling cross contamination



TECHNICAL SPECIFICATIONS

	Product Code	Description	Dimensions cm (in)	Weight kg (lbs)	Power
TRINITY™	TRI-3	Cart: powder coated aluminum Connection ports: 1.5"	86.36 x 49.53 x 88.9 (34 x 19.5 x 35)	28 (61)	115v or 220v ROHS WEEE
CURIS 3	CUF3-ID+	automatically sequenced outlet; auto calculations	50.17 x 34.93 x 43.82 (19.75 x 13.75 x 17.25)	16 (36)	
CUROXIDE™	COXCS	Sporicidal disinfectant Fogging EPA Lists K & N	EPA Registration No. 93324-1 7% hydrogen peroxide 4 x 1 gal		

APPLICATIONS

- Biotech
- Pharmaceutical manufacturing
- BSL 2, 3, & 4 laboratories
- Isolators
- Gnotobiotic chambers
- Biological safety cabinets
- Filter housings
- Cold storage equipment
- Cleanrooms