



Product Data Sheet

20 Cu. Ft. Basic Series Flammable Material Storage Manual Defrost Freezer

DAI-HC-FFP-20

Images



Product Description

Flammable storage freezers meet the requirements of NFPA 45 and NFPA 30 for cold storage of flammable and combustible materials in unclassified laboratory locations. Utilizes non-sparking and/or ATEX rated components to ensure an intrinsically safe interior for flammable materials in sealed containers. These units feature temperature alarms, keyed door locks, interior shelving, probe access, and microprocessor temperature control.

Our Basic Series freezers provide multi-functional features in a cost-effective design. All units run on natural, hydrocarbon refrigerant for environmental health and energy efficiency.

Certifications



General Description and Application

| | |
|----------------------------------|--|
| Storage capacity (cu. ft) | 20 |
| Door | Right Hinged |
| Shelves | 6 Fixed |
| Freezer Compartments | Non-applicable |
| Baskets | Non-applicable |
| Mounting | Leveling Legs |
| Interior lighting | Non-applicable |
| Airflow management | Non-applicable |
| External probe access | Rear wall port (3/4") dia. |
| Insulation | Cabinet is foamed-in-place with EPA compliant high density urethane foam |
| Exterior materials | White powder coated steel |
| Access Control | Keyed door lock |
| General warranty | Two (2) year parts and labor warranty |
| Warranty Disclaimer | Products require 4" of clearance around back and sides of the unit for proper ventilation - improper installation will void the warranty and will lead to temperature maintenance issues, overheating and possible failure |
| Product Weight (lbs) | 225 |
| Shipping Weight (lbs) | 250 |
| Rated Amperage | 5.5 Amps |
| Power Plug/Power Cord | NEMA 5-15 Plug, conforms to UL471 requirements |
| Facility Electrical Requirement | 115V, 60 Hz |
| Agency Listing and Certification | ETL, C-ETL listed and certified to UL471 standard, hydrocarbon refrigerant safety, Energy Star Certified |

Refrigeration System

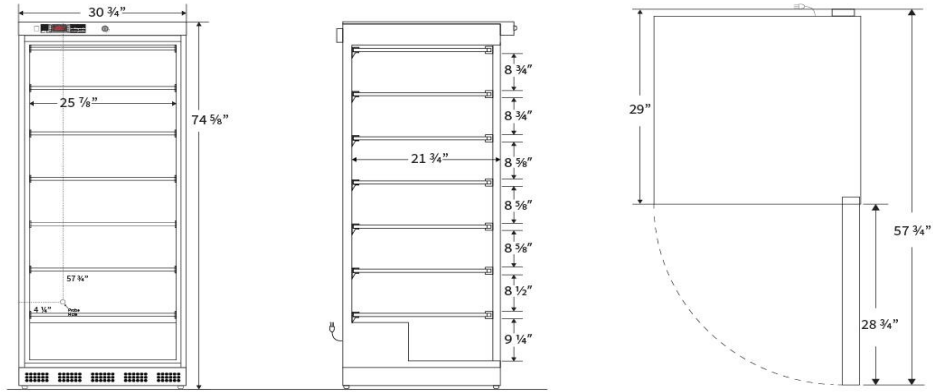
| | |
|-------------|--------|
| Refrigerant | R290 |
| Defrost | Manual |

Controller, Configuration, Alarms and Monitoring

| | |
|------------------------------|--|
| Controller technology | Microprocessor temperature controller with digital temperature display, °C/°F switchable |
| Display technology | Standard Digital Temperature Display |
| Adjustable Temperature Range | -15°C to -25°C |
| External alarm connection | State switching remote alarm contacts |
| Alarms | Audible and visual high and low temperature alarms |
| Controller probe | 2 Probes; 1 in air and 1 in sample bottle |
| Digital Communication | Non-applicable |
| Data Transfer | Non-applicable |
| Disclaimers | These units are NOT designed for use in environments where volatile/explosive conditions could potentially exist |
| | Defrosting of the unit will need to be performed periodically to prevent severe ice build-up |
| | Indoor use only, +18°C to +26°C (+65°F to +78°F), <70% RH |
| | Specifications are subject to change |

Dimensions

| | Width (in.) | Depth (in.) | Height (in.) | Door Swing (in.) | Total open Depth (in.) |
|----------|-------------|-------------|----------------|------------------|------------------------|
| Exterior | 30 3/4" | 29" | 74 5/8" | 28 3/4" | 57 3/4" |
| Interior | 25 7/8" | 21 3/4" | Non-applicable | | |



Contact

Customer Service

866-705-4749

customerservice@daiscientific.com