



DAI-HC-ERFC10

Product Data Sheet

9 Cu. Ft. Undercounter Hazardous Location Freestanding Refrigerator and Freezer Combination

Images



Product Description

In the fast-paced world of scientific and industrial laboratories, precision and safety are key. Our Hazardous Location Combo Units are engineered for use in environments where volatile or explosive conditions could exist. Crafted with ATEX and non-sparking components, these units are designed to keep you and your substances safe. These units meet NFPA and OSHA guidelines for Hazardous Location, Class 1, Division II, Groups C & D guidelines. Engineered with a microprocessor temperature controller, these units provide exceptional precision, recovery, and maintenance. You'll also experience the power of natural hydrocarbon refrigerants through energy savings and a greener laboratory footprint—all while enjoying stellar system performance. *

*Note: Please be aware that these units come without a plug and require hardwiring in conduit, ensuring a secure connection in your high-risk environment. Our freestanding models also require 4 inches of clearance for proper ventilation and safety.

General Description and Application

| | |
|----------------------------------|--------------------------------------------------------------------------|
| Storage capacity (cu. ft) | 9 Cu. Ft. |
| Door | Two swing solid doors |
| Shelves | 3 adjustable (refrigerator) and 2 fixed (freezer) |
| Freezer Compartments | 1 |
| Baskets | 3 Removable (freezer) |
| Mounting | Leveling legs and stacking kit |
| Interior lighting | Non-applicable |
| Airflow management | Non-applicable |
| External probe access | Non-applicable |
| Insulation | Cabinet is foamed-in-place with EPA compliant high density urethane foam |
| Exterior materials | White powder coated steel |
| Access Control | Keyed door locks |
| General warranty | Two (2) year parts and labor warranty |
| Product Weight (lbs) | 175 |
| Shipping Weight (lbs) | 205 |
| Rated Amperage | 1.2 (refrigerator) 1.4 (freezer) Amps |
| Power Plug/Power Cord | Exposed flying leads, 3 wires |
| Facility Electrical Requirement | 115VAC/60Hz/1PH |
| Agency Listing and Certification | ETL Listed, Units meet NFPA guidelines 45 and 70 |

Refrigeration System

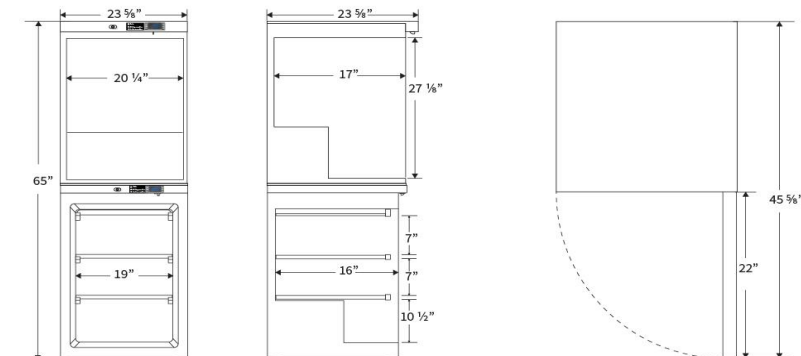
| | |
|-------------|-------------------------------------------|
| Refrigerant | R600a |
| Defrost | Cycle (Refrigerator) and Manual (Freezer) |

Controller, Configuration, Alarms and Monitoring

| | |
|---------------------------------------------|------------------------------------------------------------------------------|
| Controller technology | Microprocessor Temperature Controller |
| Display technology | Digital temperature display |
| Adjustable Temperature Range (Refrigerator) | 1°C to 10°C |
| Adjustable Temperature Range (Freezer) | -15°C to -25°C |
| External alarm connection | Remote alarm contacts, refrigerator and freezer |
| Alarms | Audible and visual high and low temperature alarms, refrigerator and freezer |
| Simulator Ballast | Glass beads in a bottle |
| Digital Communication | Non-applicable |
| Data Transfer | Non-applicable |
| Disclaimers | This unit must have 4" clearance on sides and back for adequate ventilation |

Dimensions

| | Width (in.) | Depth (in.) | Height (in.) | Door Swing (in.) | Total open Depth (in.) |
|----------|--------------------------|--------------------|--------------|------------------|------------------------|
| Exterior | 23 5/8" | 23 5/8" | 65" | 22" | 45 5/8" |
| Interior | Top 20 1/4" - Bottom 19" | Top 17" Bottom 16" | 51 5/8" | | |



Contact

Customer Service 866-705-4749

customerservice@daiscientific.com