



DAI-HC-RFP-20G

Product Data Sheet

20 Cu. Ft. Basic Series Glass Door Laboratory Refrigerator

Images



Product Description

The Basic Series Glass Door Laboratory Refrigerators are specifically designed for scientific and medical use. These refrigerators feature a digital microprocessor temperature controller, ensuring precise temperature management for critical samples and supplies.

Additionally, a forced air directional refrigeration system provides excellent temperature uniformity and rapid recovery after door openings. Upgrade your laboratory with these versatile units.

Certifications



General Description and Application

Storage capacity (cu. ft)	20 Cu. Ft.
Door	1 Glass, Swing, Right Hinged
Shelves	5 Adjustable (4 full plus half shelf)
Freezer Compartments	Non-applicable
Baskets	Non-applicable
Mounting	Leveling Legs
Interior lighting	LED Lighting
Airflow management	Forced draft air circulation
External probe access	Rear wall port (3/4") dia.
Insulation	Cabinet is foamed-in-place with EPA compliant high density urethane foam
Exterior materials	White powder coated steel
Access Control	Keyed door lock
General warranty	One (1) year parts and labor warranty
Compressor Parts Warranty	Five (5) year compressor parts warranty
Product Weight (lbs)	235
Shipping Weight (lbs)	260
Rated Amperage	2.5 Amps
Power Plug/Power Cord	NEMA 5-15 Plug, conforms to UL471 requirements
Facility Electrical Requirement	115V, 60 Hz
Agency Listing and Certification	ETL, C-ETL listed and certified to UL471 standard, hydrocarbon refrigerant safety

Refrigeration System

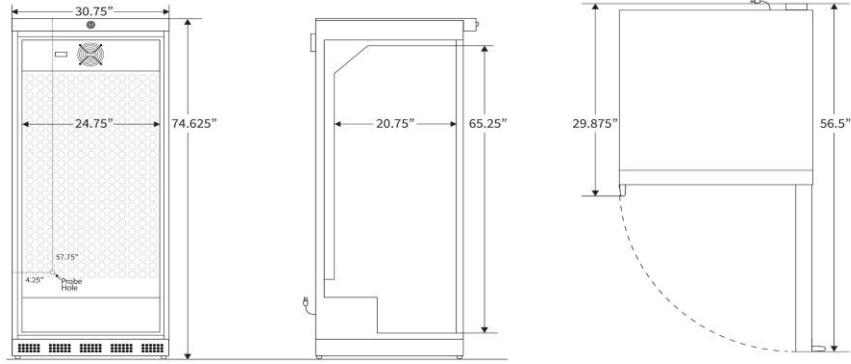
Refrigerant	R600a
Defrost	Cycle

Controller, Configuration, Alarms and Monitoring

Controller technology	Microprocessor temperature controller with digital temperature display, C/F switchable
Display technology	Standard Digital Temperature Display
Adjustable Temperature Range	1°C to 10°C
External alarm connection	State switching remote alarm contacts
Alarms	Audible and visual high and low temperature alarms
Controller probe	2 Probes; 1 in air and 1 in sample bottle
Digital Communication	Non-applicable
Data Transfer	Non-applicable
Disclaimers	Indoor use only, +18C to +26C (+65F to +78F), <70% RH Specifications are subject to change

Dimensions

	Width (in.)	Depth (in.)	Height (in.)	Door Swing (in.)	Total open Depth (in.)
Exterior	30.75	29.875	74.625	26.625	56.5
Interior	24.75	20.75	65.25		



Contact

Customer Service

866-292-5571

customerservice@daiscientific.com